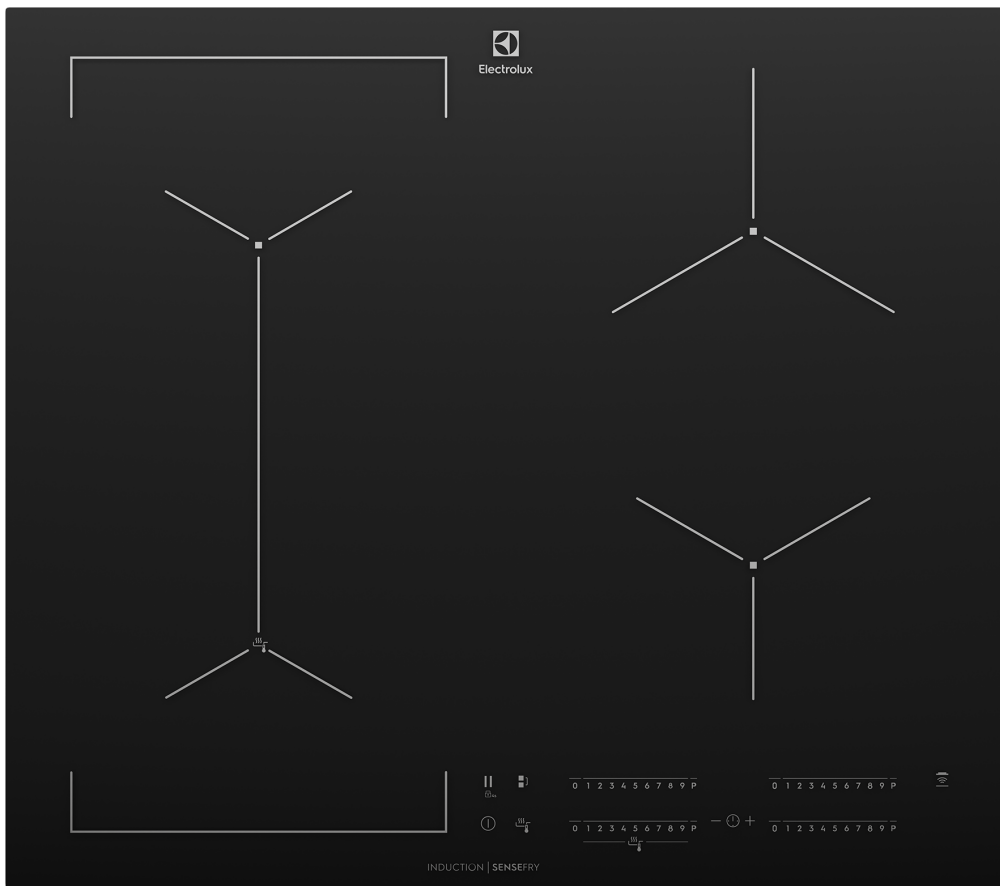


60cm 4 zone induction cooktop with SenseFry, Bridge zone, PowerBoost and Hob2Hood capability



## Product Details

### FEATURES

---

SenseFry

Bridge function

PowerBoost

Hob2Hood technology

---

Touch and slide controls  
Touch the control bar at the  
necessary heat setting

STOP + GO function

Auto warm up function

Timer and minute minder

---

Auto pot detection

Child lock  
The child lock can be turned  
on to prevent children  
tampering with the electronic  
controls.

---

### BENEFITS

---

#### EVEN FRYING. AUTOMATICALLY.

SenseFry measures heat levels and makes automatic adjustments under the pan to maintain the ideal temperature for even cooking results. Now its easy for you to whip-up evenly browned pancakes and juicy steaks at home.

#### COMBINE ZONES FOR MORE FLAVOUR

The Bridge function allows you to combine two separate cooking zones to create a single large surface. With the temperature and time settings automatically aligned, its ideal for making the most of planchas or roasting pots.

---

#### SEAR. STIR-FRY. BOIL.

The PowerBoost function gives you an intense heat boost when needed, before automatically dropping to the highest power level. Perfect for pan searing fish, stir-frying crunchy vegetables, or bringing water to the boil quickly.

#### HANDS-FREE HOOD

Hob2Hood automatically switches on your extractor hood when you start cooking and adjusts the fan speed based on how you are using your hob. This means you can boil, sear or stir-fry without having to touch your hood with greasy fingers.

---

**SAFE. FAST. EFFICIENT.**

Induction technology only heats the area directly beneath the pan, while the surface area around it remains cool. This means that induction hobs are safer and easier to clean than traditional cooktops, as spillages don't burn on. Induction is also faster and more energy efficient, so you can create delicious dishes in less time with less energy.

**INTUITIVE TOUCH CONTROLS**

Sensitive touch controls take you from simmering to boiling and back again, almost instantly. This controllability allows you to apply precise changes that can take your dishes from tasty to truly delicious. Pan-sear steak with intense heat, and then instantly drop the temperature down to protect that beautifully juicy, medium-rare texture.

---

## Specifications

### PRODUCT PROFILE

Domestic warranty details (yrs)	2
Cooktop type	induction
Materials/Colour	black ceramic glass
Removable trim (for cleaning)	No
Wok included designed to fit cooktop	No

### CONTROLS

Controls of Cooktops	Touch and Slide controls
Position of controls	front
Functions of Cooktops	stop and go,automatic warm up,timer,Keep warm function,cooking timer with acoustic signal,automatic switch off,Hob2Hood,PowerBoost
Indicators/display	fault indicator,3 level residual heat indicator

### DIMENSIONS

Total product height (mm)	55
Total product width (mm)	590
Total product depth (mm)	520
Cut out width (mm)	560
Cut out depth (mm)	490

### ELEMENTS/BURNERS

#### LEFT FRONT ZONE

Left front zone	induction extended
Left front Watts	2300
Left front boost watts	3200

## CONTROLS

---

Features of Cooktop	safety cut off,overheating protection,electronic timer,minute minder,function lock,hot surface indicator,pot sensors,child safety device lock,Hob2Hood,Bridge zone,SenseFry
---------------------	---

---

Timer of Cooktop	programmable 99min,auto off,countdown
------------------	---------------------------------------

---

## LEFT REAR ZONE

---

Left rear zone	induction extended
----------------	--------------------

---

Left rear watts	2300
-----------------	------

---

## RIGHT FRONT ZONE

---

Right front zone	induction
------------------	-----------

---

Right front Watts	1400
-------------------	------

---

## RIGHT REAR ZONE

---

Right rear zone	induction
-----------------	-----------

---

Right rear watts	1800
------------------	------

---

## ELECTRICAL SPECIFICATIONS

---

Connected load KW	7.4
-------------------	-----

---

Type of connection	hardwired
--------------------	-----------

---

## SHIPPING

---

Shipping Volume (m3)	0.048
----------------------	-------

---

Shipping Weight (Kg)	11.8
----------------------	------

---

**SHIPPING**

---

Pack Dimensions Height (mm)	118
--------------------------------	-----

---

Pack Dimension Width (mm)	680
------------------------------	-----

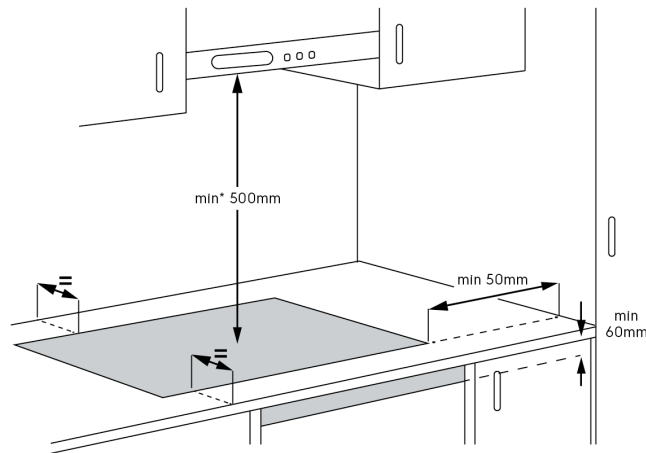
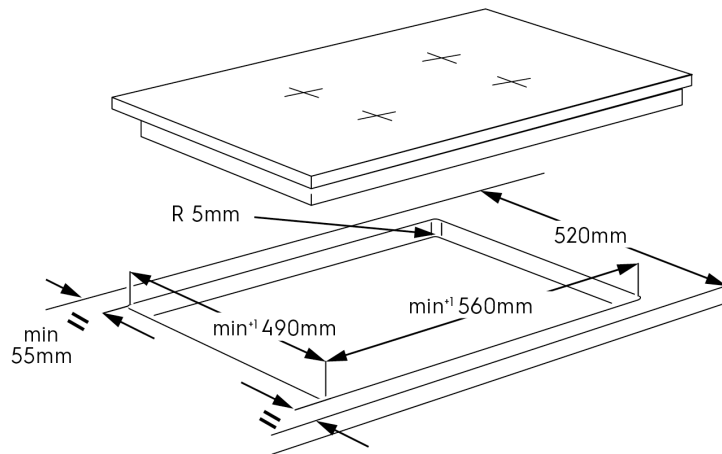
---

Pack Dimension Depth (mm)	600
------------------------------	-----

---

# Dimensions

**Model:**  
EHI645BE



© 2021 Electrolux S.E.A PTE. LTD. E\_DIM\_EHI645BE\_Sep21

## Terms and Conditions

### IMPORTANT

This is a guide of product dimensions only. For complete installation instructions, refer to the manual provided with product.

### PRODUCT INFORMATION

The descriptors and illustrations in this publication apply to the specific products and models described as at the date of issue. Under our policy of continuous product development, product specifications may change without notice. Prospective purchasers should therefore check with their retailer to ensure this publication correctly describes the products that are being offered for sale. All information supplied is to be used for general reference purposes only and is on the understanding that Electrolux Home Products Pty Ltd (Australia) and Electrolux (NZ) Ltd (New Zealand) will not be liable for any loss, liability or damage of whatever kind arising as a result of reliance on such information. Colours of products illustrated are as close as printing limitations allow. Electrolux will at all times comply with its obligations pursuant to law including Trade Practices (Australian Consumer Law) Act and Regulations.

### WARRANTY

This warranty only applies to Appliances purchased and used in Australia or New Zealand and used in normal domestic applications and is in addition to (and does not exclude, restrict, or modify in any way) any non-excludable statutory warranties in Australia or New Zealand. All warranties are subject to the conditions set out in the warranty card accompanying the product when purchased.

#### ELECTROLUX HOME PRODUCTS AUSTRALIA

telephone: 1300 363 640

fax: 1800 350 067

email: [customercare@electrolux.com.au](mailto:customercare@electrolux.com.au)

web: [www.electrolux.com.au](http://www.electrolux.com.au)

#### ELECTROLUX HOME PRODUCTS NEW ZEALAND

telephone: 09 573 2230

fax: 09 573 2221

email: [customercare@electrolux.co.nz](mailto:customercare@electrolux.co.nz)

web: [www.electrolux.co.nz](http://www.electrolux.co.nz)