
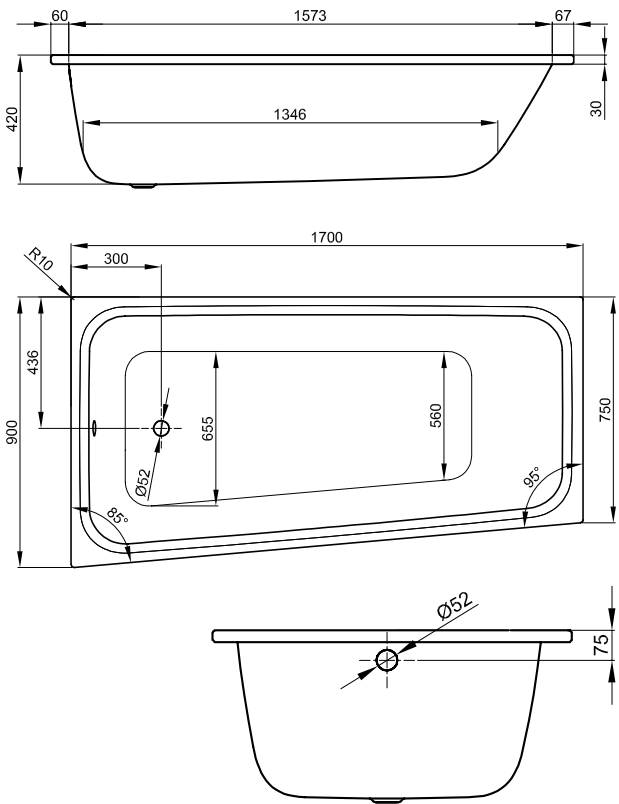




BETTESPACE M 1700 DROP IN BATH LEFT HAND

Product Image	Technical Specification
	

Description	
BetteSpace M 1700 Drop In Bath Left Hand	
B1131WOB	Chrome Overflow Waste
B1131WWOB	White Overflow Waste
B1131WFB	Chrome Overflow Waste Bath Filler
B1131WWFB	White Overflow Waste Bath Filler

Additional Information
<p>Options available:</p> <ul style="list-style-type: none"> • B23-1500 Universal bath feet • Integrated bath filler <ul style="list-style-type: none"> • Includes Waste Overflow Combination • For bath filler water supply rough-in, a mixer (or similar) should be located close to the bath filler. The mixed water supply outlet feed should be roughed-in within 450mm of the bath filler. • Weight: 60kg • Capacity: 192L

