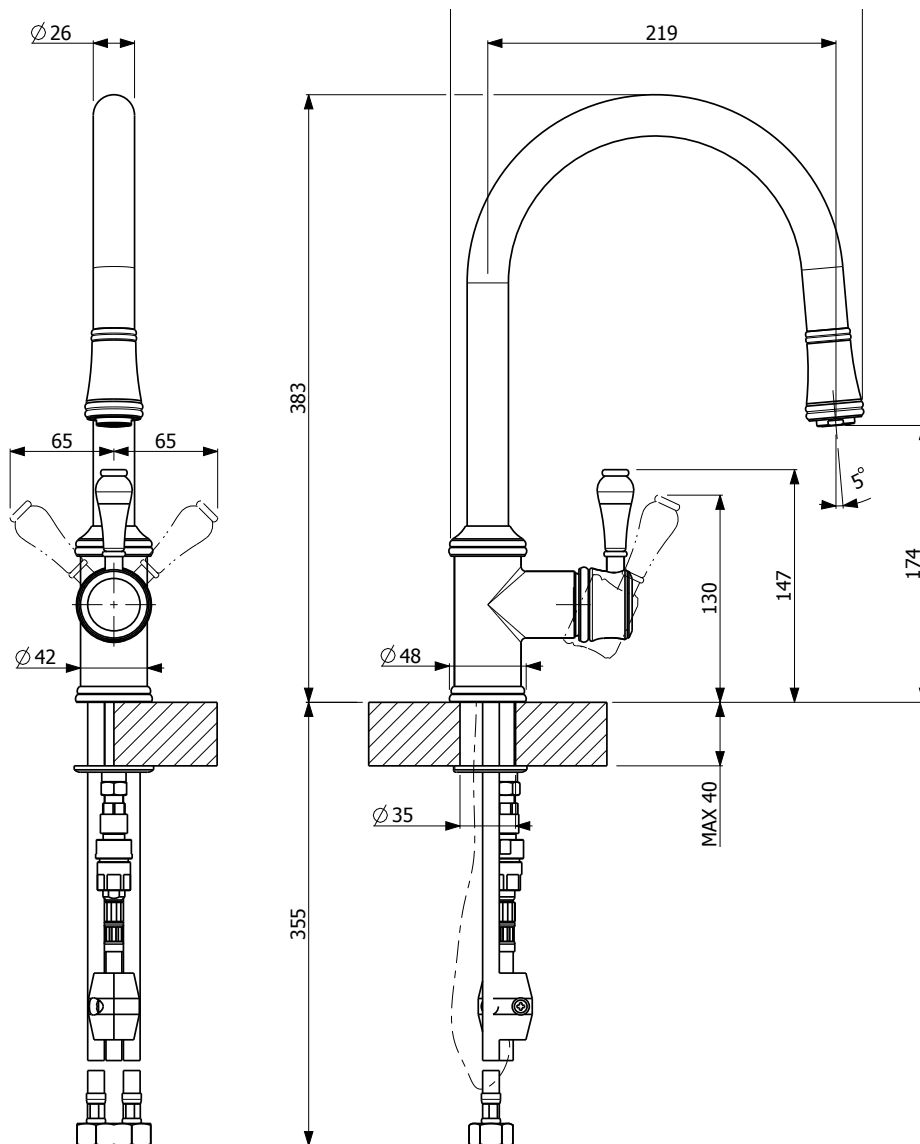


400674

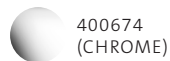
PROVINCIAL SINGLE LEVER KITCHEN MIXER WITH PULL OUT

WELS Rating 4 Star 7.5L/min

WELS Registration #T31039 (Chrome) #T31039(v) (Finishes)



AVAILABLE IN



400674
(CHROME)



400674-BN
(BRUSHED NICKEL)



400674-BR
(BRONZE)