



Advantage Designer 300 Grab Rail

Gun Metal

Product Image



Product Details

Code:	52883090
Brand:	Argent
Range:	Advantage Designer
Warranty:	5 Years*
WELS:	N/A

Additional Features

Technical Specification

Required Product

Recommended Products

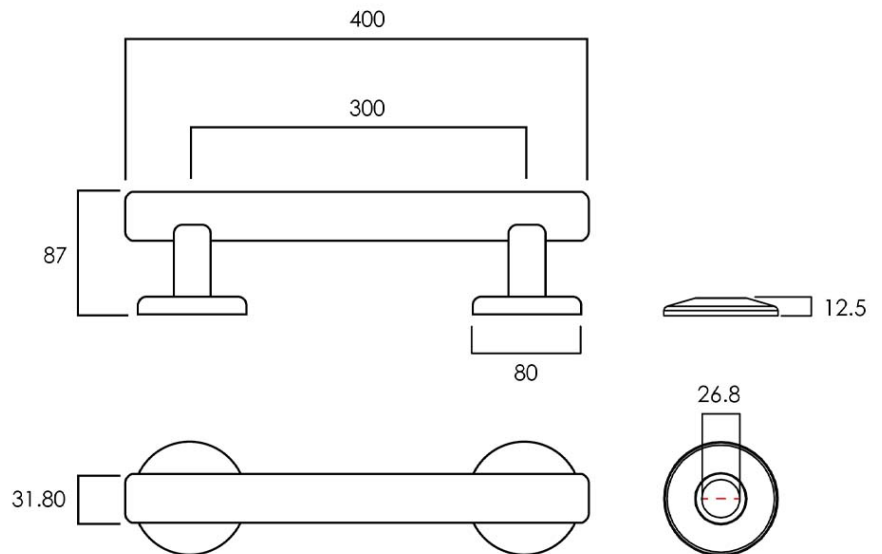
Matching Advantage Designer Shower

Additional Notes

- Advantage Seal

Installation Instructions

* T Style Flange assembly with Easy Install grub screw fitment



*Please visit argentaust.com.au/warranty to view the full warranty

Note: All dimensions are in millimetres and are subject to normal manufacturing variations. Always use the physical product measurements for cut-outs and rough-ins as the technical details shown may differ from the actual product. Use acetic cured silicone sealant. Do not use epoxy type adhesives. Clean with damp cloth. Do not use abrasive cleaners, liquids or pastes.

