

60cm induction cooktop with ProCook function, FlexiBridge, touch slide controls, XL zone and Hob2Hood.



## Product Details

### FEATURES

ProCook function

FlexiBridge function

Hob2Hood

Hob2Hood automatically adjusts your hood settings so you can focus on creating delicious dishes.

XL Zone

Touch slide controls

OptiHeat™ control

The OptiHeat™ control helps you make the most efficient use of residual heat. It advises 3 levels of residual heat whether the heat zone is still hot enough to cook with, hot enough to keep food warm, or simply hot to touch.

Automax

Pause Function

The pause function sets zones to the lowest setting to keep dishes warm and prevent overcooking.

Minute minder

Oko timer

Function control lock

### BENEFITS

ProCook

At the touch of a button, the FlexiBridge cooking zone switches to three pre-set temperature levels: high, medium and low so you can simply move the pan to seamlessly go from boil to simmer.

Combine zones to cook more with FlexiBridge

Activated by a dedicated touch key and seamlessly controlled through one control, FlexiBridge is perfect for cooking larger dishes.

Hob2Hood

Leave Hob2Hood to regulate the fan while you concentrate on the key moments involved in getting your dish just right. It will automatically control your rangehood's fan and lights.

OptiHeat™ control by monitoring each heat zone

The OptiHeat™ control helps you make the most efficient use of residual heat. It advises 3 levels of residual heat whether the heat zone is still hot enough to cook with, hot enough to keep food warm, or simply hot to touch.

**AutoMax**

Our AutoMax cooking function provides fantastic automatic zone control. After you have selected the AutoMax function, it will bring the zone up to the boil and will then reduce it to your pre-selected power level for the remainder of the cooking time.

**Touch slide controls**

Precise heat control in an instant. Heat levels can be adjusted quickly, easily and accurately.

---

## Specifications

### PRODUCT PROFILE

Domestic warranty details (yrs)	5
Cooktop type	induction
Materials/Colour	black ceramic glass
Removable trim (for cleaning)	No
Wok included designed to fit cooktop	No

### DIMENSIONS

Total product height (mm)	48
Total product width (mm)	590
Total product depth (mm)	520
Cut out width (mm)	560
Cut out depth (mm)	490
Cut out height (mm)	44

### CONTROLS

Controls of Cooktops	Touch and Slide controls
Position of controls	right front
Functions of Cooktops	acoustic signal,automatic switch off,AutoMax automatic heat up,timer,booster,pause,Hob2Hood,ProCook,FlexiBridge
Indicators/display	fault indicator,3 level residual heat indicator
Features of Cooktop	minute minder,function lock,sound off,pot sensors,Hob2Hood Connectivity

### ELEMENTS/BURNERS

#### LEFT FRONT ZONE

Left front zone	FlexiBridge
Left front Watts	2300
Left front boost watts	3200
Left front diameter mm	220

## CONTROLS

---

Timer of Cooktop    Oko timer,CountUp,Minute minder

---

## LEFT REAR ZONE

---

Left rear zone                      FlexiBridge

---

Left rear watts                      2300

---

Left rear diameter mm              220

---

## RIGHT FRONT ZONE

---

Right front zone                      induction

---

Right front Watts                      1800

---

Right front diameter mm              280

---

## ELECTRICAL SPECIFICATIONS

---

Connected load KW                      7.4

---

Type of connection                      hardwired

---

## SHIPPING

---

Shipping Weight (Kg)                      13.2

---

Pack Dimensions Height  
(mm)                                      118

---

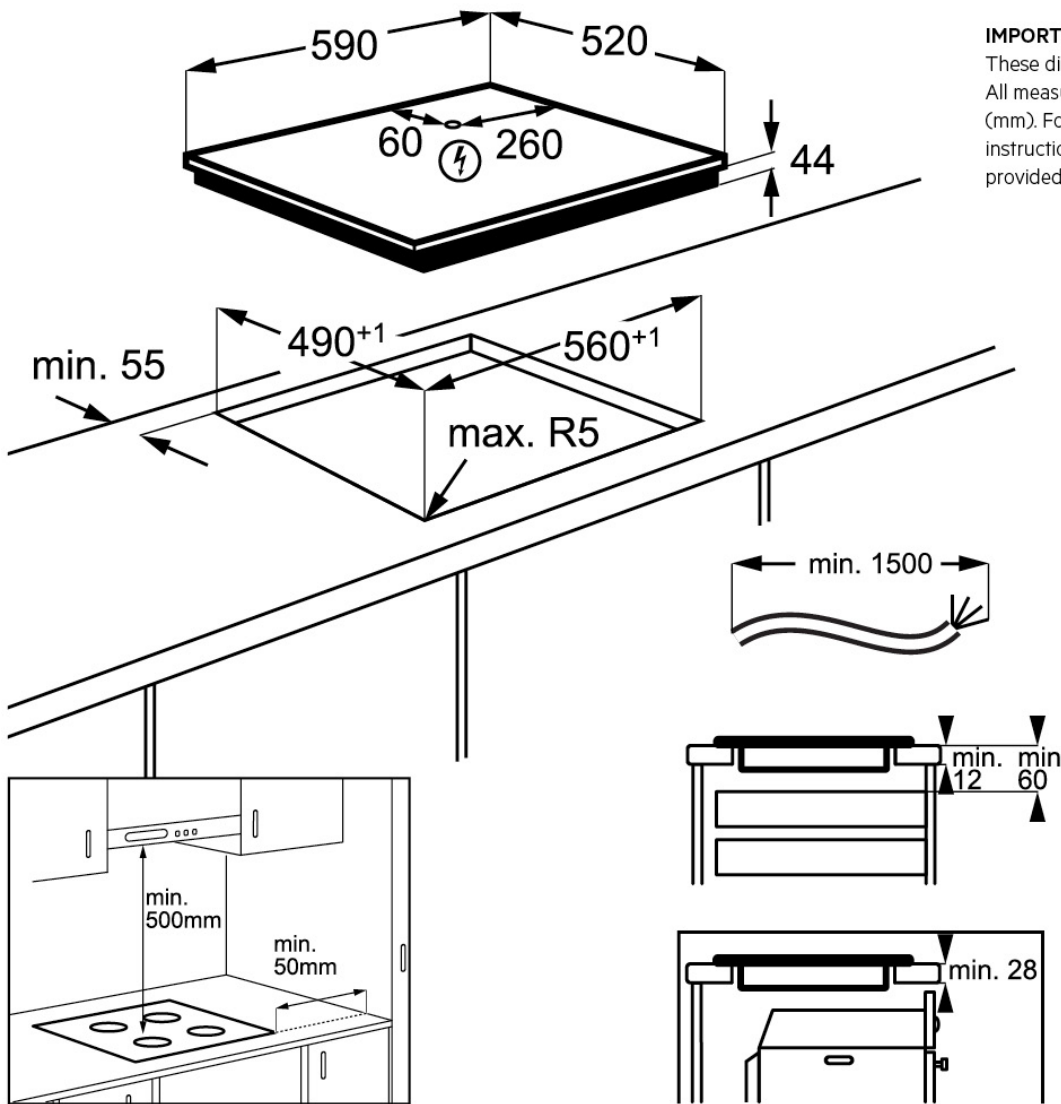
Pack Dimension Width  
(mm)                                      678

---

Pack Dimension Depth  
(mm)                                      600

---

## Dimensions



**IMPORTANT**

These dimensions are a guide only. All measurements are in millimetres (mm). For complete installation instructions, refer to the manual provided with product.

## Terms and Conditions

### IMPORTANT

This is a guide of product dimensions only. For complete installation instructions, refer to the manual provided with product.

### PRODUCT INFORMATION

The descriptors and illustrations in this publication apply to the specific products and models described as at the date of issue. Under our policy of continuous product development, product specifications may change without notice. Prospective purchasers should therefore check with their retailer to ensure this publication correctly describes the products that are being offered for sale. All information supplied is to be used for general reference purposes only and is on the understanding that Electrolux Home Products Pty Ltd (Australia) and Electrolux (NZ) Ltd (New Zealand) will not be liable for any loss, liability or damage of whatever kind arising as a result of reliance on such information. Colours of products illustrated are as close as printing limitations allow. Electrolux will at all times comply with its obligations pursuant to law including Trade Practices (Australian Consumer Law) Act and Regulations.

### WARRANTY

Electrolux Home Products warrants that for domestic applications the AEG appliances featured are free from defects in materials and workmanship for 5 years (3 months warranty for commercial applications). All warranties are subject to the conditions set out in the warranty card accompanying the product when purchased.

#### ELECTROLUX HOME PRODUCTS AUSTRALIA

telephone: 1300 363 664

fax: 1800 350 067

email: [customercare@aegaustralia.com.au](mailto:customercare@aegaustralia.com.au)

web: [www.aeg.com/au](http://www.aeg.com/au)

#### ELECTROLUX HOME PRODUCTS NEW ZEALAND

telephone: 0800 10 66 10

fax: 09 573 2221

email: [customercare@electrolux.co.nz](mailto:customercare@electrolux.co.nz)

web: [www.aeg.com/au](http://www.aeg.com/au)