

**60cm 4 Burner Ceramic Glass Gas Cooktop**



## Product Details

### FEATURES

---

Triple crown wok burner	Electronic under knob ignition	Cast iron pan supports	Easy clean ceramic glass finish
Flame failure safety device	Natural gas	Optional LPG	

---

### BENEFITS

---

<p>Triple crown wok burner Powerful triple crown wok burner, perfect for searing, or stir fry cooking.</p>	<p>Flame Failure Safety Device If the flame of your gas burner is accidentally extinguished, the flame failure device will switch off the gas supply to ensure the utmost safety.</p>
<p>Electronic under knob ignition Simple and effective individual burner ignition.</p>	<p>Cast iron pan supports Designer cast iron pan supports that enhance the hob and create a professional appearance in your kitchen.</p>

---

## Specifications

### PRODUCT PROFILE

Domestic warranty details (yrs)	5
Cooktop type	gas
Materials/Colour	ceramic
Knob Finish	black

### CONTROLS

Controls of Cooktops	knob
Position of controls	front

### ELEMENTS/BURNERS

#### LEFT FRONT ZONE

Left front zone	triple ring
-----------------	-------------

### DIMENSIONS

Total product height (mm)	98
Total product width (mm)	590
Total product depth (mm)	520
Cut out width (mm)	560
Cut out depth (mm)	480
Cut out height (mm)	46

### FEATURES

Trivets	cast iron
Ignition type	electronic under knob ignition

### LEFT REAR ZONE

Left rear zone	semi-rapid
----------------	------------

**RIGHT FRONT ZONE**

---

Right front zone	simmer
------------------	--------

---

**RIGHT REAR ZONE**

---

Right rear zone	semi-rapid
-----------------	------------

---

**ELECTRICAL SPECIFICATIONS**

---

Connected load KW	240
-------------------	-----

---

Maximum current rating (amps)	10
----------------------------------	----

---

Type of connection	10A plug & lead
--------------------	-----------------

---

**GAS SPECIFICATIONS**

---

Maximum gas rating (NG)	31.0
-------------------------	------

---

Maximum power rating kW	8.6
-------------------------	-----

---

**SHIPPING**

---

Shipping Weight (Kg)	12.6
----------------------	------

---

Pack Dimensions Height (mm)	160
--------------------------------	-----

---

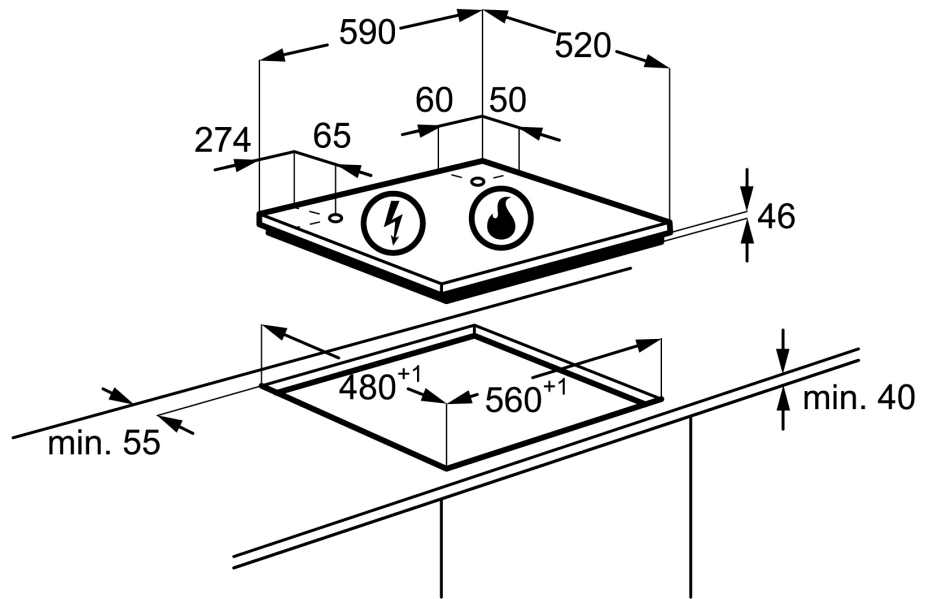
Pack Dimension Width (mm)	715
------------------------------	-----

---

Pack Dimension Depth (mm)	630
------------------------------	-----

---

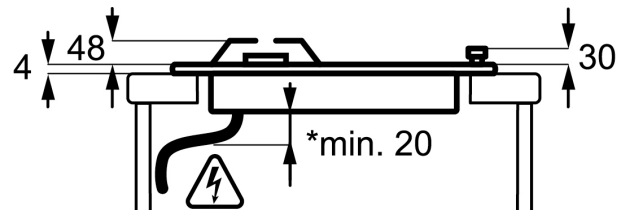
## Dimensions



**IMPORTANT**

These dimensions are a guide only. All measurements are in millimetres (mm).

For complete installation instructions, refer to the manual provided with product.



## Terms and Conditions

### IMPORTANT

This is a guide of product dimensions only. For complete installation instructions, refer to the manual provided with product.

### PRODUCT INFORMATION

The descriptors and illustrations in this publication apply to the specific products and models described as at the date of issue. Under our policy of continuous product development, product specifications may change without notice. Prospective purchasers should therefore check with their retailer to ensure this publication correctly describes the products that are being offered for sale. All information supplied is to be used for general reference purposes only and is on the understanding that Electrolux Home Products Pty Ltd (Australia) and Electrolux (NZ) Ltd (New Zealand) will not be liable for any loss, liability or damage of whatever kind arising as a result of reliance on such information. Colours of products illustrated are as close as printing limitations allow. Electrolux will at all times comply with its obligations pursuant to law including Trade Practices (Australian Consumer Law) Act and Regulations.

### WARRANTY

Electrolux Home Products warrants that for domestic applications the AEG appliances featured are free from defects in materials and workmanship for 5 years (3 months warranty for commercial applications). All warranties are subject to the conditions set out in the warranty card accompanying the product when purchased.

#### ELECTROLUX HOME PRODUCTS AUSTRALIA

telephone: 1300 363 664

fax: 1800 350 067

email: [customercare@aegaustralia.com.au](mailto:customercare@aegaustralia.com.au)

web: [www.aeg.com/au](http://www.aeg.com/au)

#### ELECTROLUX HOME PRODUCTS NEW ZEALAND

telephone: 0800 10 66 10

fax: 09 573 2221

email: [customercare@electrolux.co.nz](mailto:customercare@electrolux.co.nz)

web: [www.aeg.com/au](http://www.aeg.com/au)