
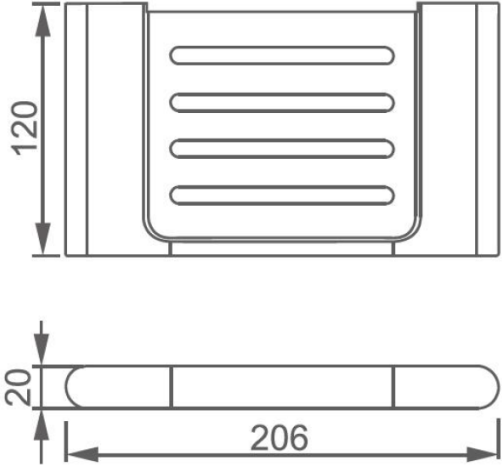


Sync Soap Holder

Product Image	Technical Specification
	

Description	Attributes
<p>Sync Soap Holder</p> <p>YS11402 Brushed Nickel</p>	<ul style="list-style-type: none"> • Made from top quality brass • Warranty : 7/1 years

*All dimensions are in millimeters and are subject to normal manufacturing variations. Actual dimensions should be checked prior to installation. Yushi pursues a policy of continuing improvement in design and performance of its products. The right is therefore reserved to vary specifications without notice.