

90cm stainless steel and flat glass canopy hood with 810 cubic m/h extraction on boost and LED lighting. ONLY AVAILABLE COMMERCIALY.



Product Details

FEATURES

Push button controls

Power Twin Blade centrifugal motor

Dishwasher Safe Aluminium micro-mesh filters

Low Energy/Long Life LED Globes

Stainless Steel finish

BENEFITS

Powerful Twin Blade centrifugal motor

The Cube houses a powerful twin blade motor to ensure maximum extraction of unwanted steam and vapours from cooking.

Conversation friendly noise levels

Enjoy cooking and conversation with a quieter motor delivering extraction without high noise levels.

Dishwasher Safe Aluminium micro-mesh filters

Simply remove the filter panels and wash in your dishwasher to maintain performance and appearance.

Low Energy with high levels of illumination

Delivering excellent illumination with cost conscious low energy use, as well as reducing the heat generated by the downlights.

Designed to have minimal seams and joins

By reducing the seams and joins in the stainless steel canopy, it is even easier to clean and keep looking great.

Specifications

PRODUCT PROFILE

Domestic warranty details (yrs)	2
---------------------------------	---

Type of Rangehood	wall mounted canopy
-------------------	---------------------

Nominal width (cm)	900
--------------------	-----

Finish of Rangehood	glass,stainless steel
---------------------	-----------------------

DIMENSIONS

Total product height (mm)	1130
---------------------------	------

Total product width (mm)	900
--------------------------	-----

Total product depth (mm)	500
--------------------------	-----

Diameter of ducting (mm)	150
--------------------------	-----

Minimum installation height from cooking surface Gas (mm)	650
---	-----

MOTOR/FAN

Number of fans	1
----------------	---

Number of fans speeds	3
-----------------------	---

Auto off	Yes
----------	-----

Type of motor	centrifugal
---------------	-------------

Maximum airflow M3/Hr	810
-----------------------	-----

Noise level dB high	69
---------------------	----

Noise level dB low	52
--------------------	----

POWER

Electricity supply required (Kw)	3.4
----------------------------------	-----

Connection plug	10
-----------------	----

DIMENSIONS

Minimum installation height from cooking surface Electric (mm)	600
--	-----

Maximum canopy chimney height (mm)	1130
------------------------------------	------

Flue cover depth (mm)	280
-----------------------	-----

Flue cover width (mm)	320
-----------------------	-----

CONTROLS

Control panel	electronic touch
---------------	------------------

Safety/ display indicators	automatic safety cut off,clean filter indicator
----------------------------	---

LED speed display	Yes
-------------------	-----

LIGHTS

Number of lights	2
------------------	---

Wattage of light	4
------------------	---

Type of light	LED
---------------	-----

FILTERS

Number of filters	1
-------------------	---

Type of filter	multilayer aluminum micromesh filters
----------------	---------------------------------------

Dishwasher safe	Yes
-----------------	-----

DUCTING / RECIRCULATION

Ducting	optional accessory
---------	--------------------

Top or rear duct hole	top
-----------------------	-----

Recirculation option	Yes
----------------------	-----

Recirculation kit	optional accessory
-------------------	--------------------

DUCTING / RECIRCULATION

Front recirculating option	No
----------------------------	----

Optional extension flue	Yes
-------------------------	-----

Ducting accessory available	AR610RK
-----------------------------	---------

Type of filter	Carbon
----------------	--------

Filter	AR610CF
--------	---------

Number of optional filters required	two
-------------------------------------	-----

Ducting diameter (mm)	150
-----------------------	-----

SHIPPING

Pack Dimensions Height (mm)	605
-----------------------------	-----

Pack Dimension Width (mm)	980
---------------------------	-----

Pack Dimension Depth (mm)	390
---------------------------	-----

Dimensions

Canopy rangehood

WRCG940SB

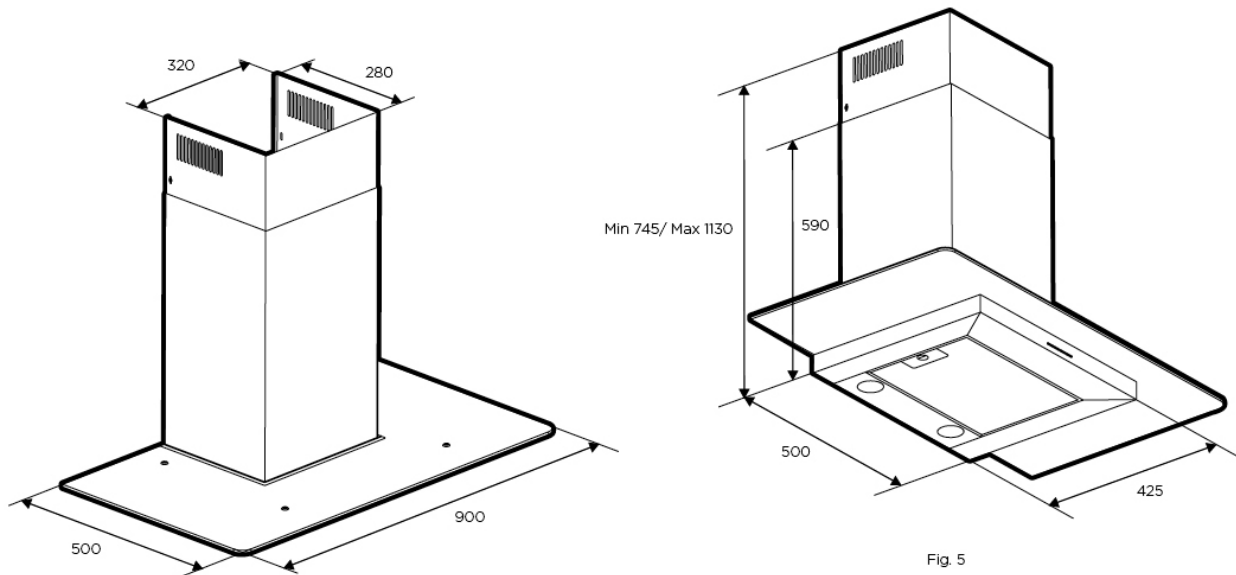
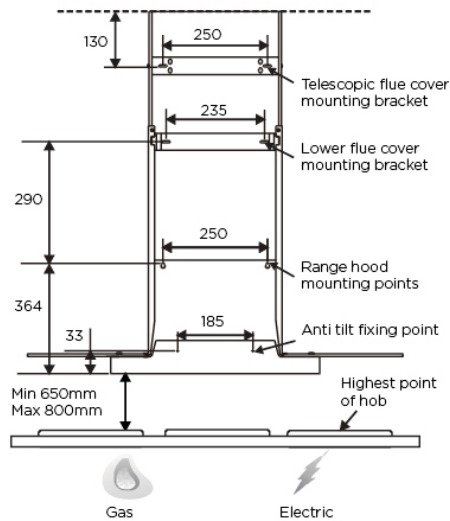


Fig. 5



IMPORTANT

These dimensions are a guide only. All measurements are in millimetres (mm).
For complete installation instructions, refer to the manual provided with product.

Terms and Conditions

IMPORTANT

This is a guide of product dimensions only. For complete installation instructions, refer to the manual provided with product.

PRODUCT INFORMATION

The descriptors and illustrations in this publication apply to the specific products and models described as at the date of issue. Under our policy of continuous product development, product specifications may change without notice. Prospective purchasers should therefore check with their retailer to ensure this publication correctly describes the products that are being offered for sale. All information supplied is to be used for general reference purposes only and is on the understanding that Electrolux Home Products Pty Ltd (Australia) and Electrolux (NZ) Ltd (New Zealand) will not be liable for any loss, liability or damage of whatever kind arising as a result of reliance on such information. Colours of products illustrated are as close as printing limitations allow. Electrolux will at all times comply with its obligations pursuant to law including Trade Practices (Australian Consumer Law) Act and Regulations.

WARRANTY

This warranty only applies to Appliances purchased and used in Australia or New Zealand and used in normal domestic applications and is in addition to (and does not exclude, restrict, or modify in any way) any non-excludable statutory warranties in Australia or New Zealand. All warranties are subject to the conditions set out in the warranty card accompanying the product when purchased.

ELECTROLUX HOME PRODUCTS AUSTRALIA

telephone: 1300 363 640

fax: 1800 350 067

email: customercare@electrolux.com.au

web: www.electrolux.com.au

ELECTROLUX HOME PRODUCTS NEW ZEALAND

telephone: 09 573 2230

fax: 09 573 2221

email: customercare@electrolux.co.nz

web: www.electrolux.co.nz