

60cm white slide-out rangehood with 3 speeds. ONLY AVAILABLE COMMERCIALY.



Product Details

FEATURES

Washable filters

Easy control

Slimline design suitable for integration

3 fan speeds

1 x Filter

Top ducted

BENEFITS

Easy control

With no switches to make cleaning easy, the light & fan speed is automatically operated by simply sliding the front trim forward.

Slimline design suitable for integration

Designed for integration, the front trim can be installed flush with the cabinetry or be removed and replaced with the cabinet material for total integration.

Washable filters

Multi-Layered, micro mesh filters that are easily removed for cleaning

Specifications

PRODUCT PROFILE

Domestic warranty details (yrs)	2
---------------------------------	---

Type of Rangehood	slide out
-------------------	-----------

Nominal width (cm)	600
--------------------	-----

Finish of Rangehood	white
---------------------	-------

DIMENSIONS

Total product height (mm)	175
---------------------------	-----

Total product width (mm)	599
--------------------------	-----

Total product depth (mm)	300
--------------------------	-----

Minimum installation height from cooking surface Gas (mm)	0
---	---

Minimum installation height from cooking surface Electric (mm)	0
--	---

MOTOR/FAN

Number of fans	1
----------------	---

Number of fans speeds	3
-----------------------	---

Type of motor	centrifugal
---------------	-------------

Maximum airflow M3/Hr	210
-----------------------	-----

Noise level dB high	62
---------------------	----

Noise level dB low	59
--------------------	----

CONTROLS

Control panel	auto activated pull/push
---------------	--------------------------

FILTERS

Number of filters	1
Type of filter	multi layer stainless steel
Dishwasher safe	Yes

LIGHTS

Number of lights	1
Wattage of light	28
Type of light	halogen

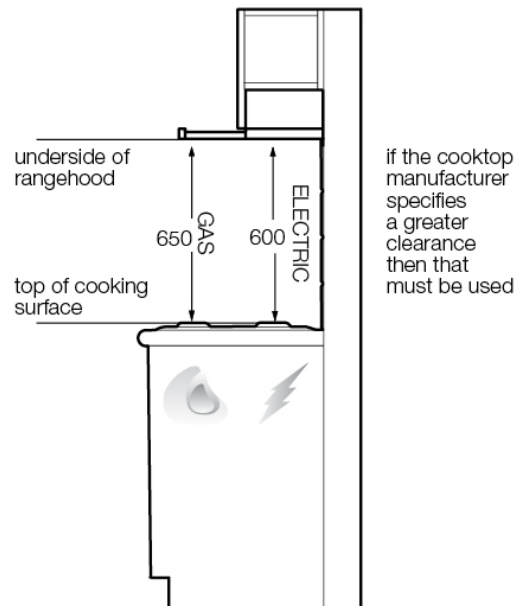
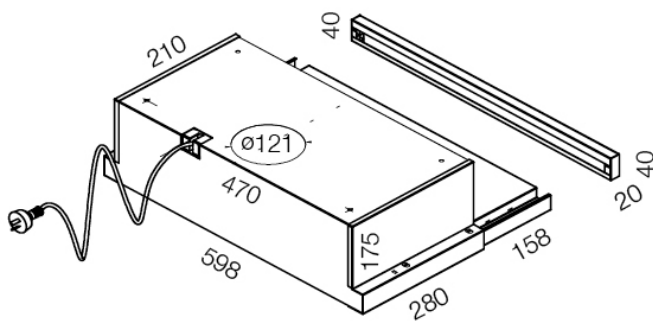
DUCTING / RECIRCULATION

Ducting	yes
Top or rear duct hole	top
Recirculation option	No

Dimensions

Slide out rangehoods

WRH605IS/IW



IMPORTANT

These dimensions are a guide only. All measurements are in millimetres (mm).
For complete installation instructions, refer to the manual provided with product.

Terms and Conditions

IMPORTANT

This is a guide of product dimensions only. For complete installation instructions, refer to the manual provided with product.

PRODUCT INFORMATION

The descriptors and illustrations in this publication apply to the specific products and models described as at the date of issue. Under our policy of continuous product development, product specifications may change without notice. Prospective purchasers should therefore check with their retailer to ensure this publication correctly describes the products that are being offered for sale. All information supplied is to be used for general reference purposes only and is on the understanding that Electrolux Home Products Pty Ltd (Australia) and Electrolux (NZ) Ltd (New Zealand) will not be liable for any loss, liability or damage of whatever kind arising as a result of reliance on such information. Colours of products illustrated are as close as printing limitations allow. Electrolux will at all times comply with its obligations pursuant to law including Trade Practices (Australian Consumer Law) Act and Regulations.

WARRANTY

This warranty only applies to Appliances purchased and used in Australia or New Zealand and used in normal domestic applications and is in addition to (and does not exclude, restrict, or modify in any way) any non-excludable statutory warranties in Australia or New Zealand. All warranties are subject to the conditions set out in the warranty card accompanying the product when purchased.

ELECTROLUX HOME PRODUCTS AUSTRALIA

telephone: 1300 363 640

fax: 1800 350 067

email: customercare@electrolux.com.au

web: www.electrolux.com.au

ELECTROLUX HOME PRODUCTS NEW ZEALAND

telephone: 09 573 2230

fax: 09 573 2221

email: customercare@electrolux.co.nz

web: www.electrolux.co.nz