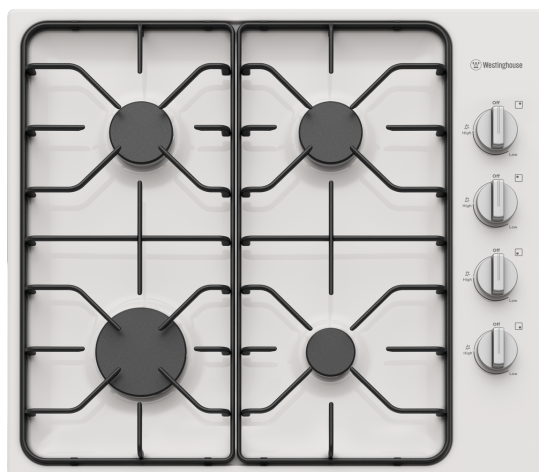


60cm 4 burner white enamel gas cooktop with a 12.1MJ/h burner, easy start knob ignition and stable wire trivets.



## Product Details

### FEATURES

---

12.1 MJ/h wok burner

Flat trivets

Simple and durable control panel graphics

Easy under knob ignition

---

Easy clean white enamel

Flame Failure Device

LP Gas Conversion kit included  
LP Gas Conversion kit included. Must be installed by a licenced tradesperson.

---

### BENEFITS

---

High heat for full flavour

Stir fries are a family favourite and the key to having a delicious stir fry is the flavours the ingredients bring to the table. With a 12.1 MJ/h wok burner you can lock in those flavours.

Keep your pots and pans in place

For extra peace of mind, our flat trivets are designed to cover the large flat surface area for better pot stability.

---

Simple and durable control panel graphics

Understanding the cooktop should be easy. That's why our graphics are clear and durable, so they are always there to help you understand how to get the most out of your new cooktop and understand exactly what goes where.

Easy ignite

For busy kitchens the Easy Ignite under knob ignition is quick, simple and safe to use.

---

Flame out. Gas off.

In the kitchen, it should always be safety first. If the cooktop flame unexpectedly goes out, our Flame Failure Device will automatically shut down the gas supply so you and your family can breathe easy.

---

## Specifications

### PRODUCT PROFILE

---

Domestic warranty details (yrs)	2
---------------------------------	---

---

Cooktop type	gas
--------------	-----

---

Materials/Colour	white enamel
------------------	--------------

---

Knob Finish	painted silver
-------------	----------------

---

### CONTROLS

---

Controls of Cooktops	knob
----------------------	------

---

Position of controls	right hand side
----------------------	-----------------

---

Features of Cooktop	flame failure,Enamelled trivets
---------------------	---------------------------------

---

### ELEMENTS/BURNERS

#### LEFT FRONT ZONE

---

Left front zone	rapid
-----------------	-------

---

### DIMENSIONS

---

Total product height (mm)	45
---------------------------	----

---

Total product width (mm)	600
--------------------------	-----

---

Total product depth (mm)	535
--------------------------	-----

---

Cut out width (mm)	570
--------------------	-----

---

Cut out depth (mm)	490
--------------------	-----

---

### FEATURES

---

Trivets	enamel
---------	--------

---

Ignition type	electronic under knob ignition
---------------	--------------------------------

---

### LEFT REAR ZONE

---

Left rear zone	semi-rapid
----------------	------------

---

## RIGHT FRONT ZONE

---

Right front zone	simmer
------------------	--------

---

## RIGHT REAR ZONE

---

Right rear zone	semi-rapid
-----------------	------------

---

## ELECTRICAL SPECIFICATIONS

---

Connected load KW	0.05
-------------------	------

---

Type of connection	10A plug & lead
--------------------	-----------------

---

## GAS SPECIFICATIONS

---

Total burner output(NG)	35.2
-------------------------	------

---

Position of gas connection	rear right
----------------------------	------------

---

## SHIPPING

---

Shipping Volume (m3)	0.072
----------------------	-------

---

Shipping Weight (Kg)	9.8
----------------------	-----

---

Pack Dimensions Height (mm)	165
-----------------------------	-----

---

Pack Dimension Width (mm)	722
---------------------------	-----

---

Pack Dimension Depth (mm)	600
---------------------------	-----

---

## STUFFING QUANTITIES

---

20ft	378
------	-----

---

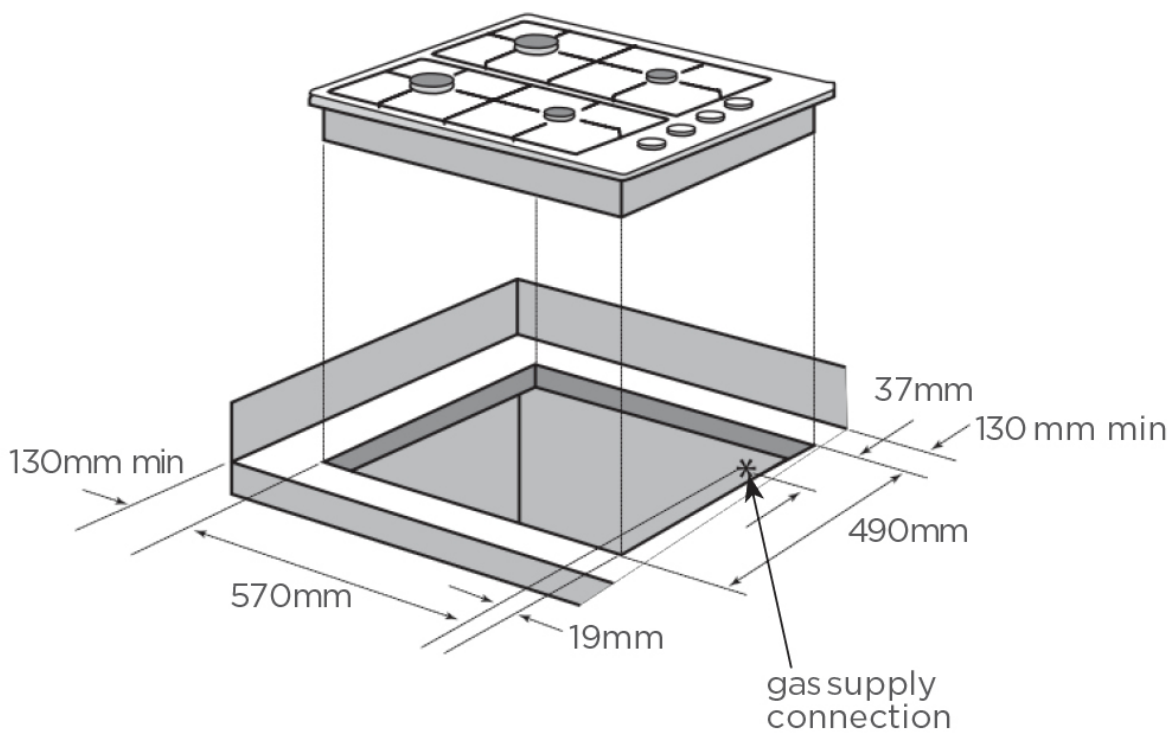
40ft HC	855
---------	-----

---

## Dimensions

### 60cm gas cooktops

WHG640SC/WC



#### IMPORTANT

These dimensions are a guide only. All measurements are in millimetres (mm).  
For complete installation instructions, refer to the manual provided with product.

# Terms and Conditions

## IMPORTANT

This is a guide of product dimensions only. For complete installation instructions, refer to the manual provided with product.

## PRODUCT INFORMATION

The descriptors and illustrations in this publication apply to the specific products and models described as at the date of issue. Under our policy of continuous product development, product specifications may change without notice. Prospective purchasers should therefore check with their retailer to ensure this publication correctly describes the products that are being offered for sale. All information supplied is to be used for general reference purposes only and is on the understanding that Electrolux Home Products Pty Ltd (Australia) and Electrolux (NZ) Ltd (New Zealand) will not be liable for any loss, liability or damage of whatever kind arising as a result of reliance on such information. Colours of products illustrated are as close as printing limitations allow. Electrolux will at all times comply with its obligations pursuant to law including Trade Practices (Australian Consumer Law) Act and Regulations.

## WARRANTY

This warranty only applies to Appliances purchased and used in Australia or New Zealand and used in normal domestic applications and is in addition to (and does not exclude, restrict, or modify in any way) any non-excludable statutory warranties in Australia or New Zealand. All warranties are subject to the conditions set out in the warranty card accompanying the product when purchased.

### ELECTROLUX HOME PRODUCTS AUSTRALIA

telephone: 1300 363 640

fax: 1800 350 067

email: [customercare@electrolux.com.au](mailto:customercare@electrolux.com.au)

web: [www.electrolux.com.au](http://www.electrolux.com.au)

### ELECTROLUX HOME PRODUCTS NEW ZEALAND

telephone: 09 573 2230

fax: 09 573 2221

email: [customercare@electrolux.co.nz](mailto:customercare@electrolux.co.nz)

web: [www.electrolux.co.nz](http://www.electrolux.co.nz)