

60cm 3 zone ceramic cooktop with Hob2Hood, MaxiZone, dual variable zone, touch controls, and Pause function.



Product Details

FEATURES

Hob2Hood

MaxiZone

Dual Zone

Touch on glass controls

Pause

QuickCook Timer

Residual Heat Indicator

Child safety lock

Easy clean ceramic surface

BENEFITS

Clear the air with Hob2Hood

With Hob2Hood technology, compatible rangehoods work seamlessly with your induction or ceramic cooktop to clear your kitchen of cooking smells and steam. As you start cooking, the rangehood will automatically turn on then intuitively adjust the fan speed and airflow to match your cooking. How's that for hands-free convenience?

Larger pans are no problem

Larger pots or pans are catered for with MaxiZone. Our extra large cooking zone ensures that heat will be delivered consistently to large pans to help cook your special dishes to perfection with ease.

More versatility with variable zones

With Dual Zone functionality you are able to adjust your cooking surface to suit your pot or pan size with ease.

Hold everything with our clever Pause function

We know that family life is full of distractions. That's why you'll appreciate our clever Pause function. Simply touch the Pause icon on your cooktop and all operating induction zones will drop to Keep Warm mode. When you're ready to go again, hit Pause again and settings will return to where you left off.

Easy touch-on glass control

Total control is at your fingertips with a simple touch on the easy-clean glass control panel.

Timed to perfection

Never over-cook or burn dinner again. Just set the cooking time and your cooktop will automatically turn the heat off for you.

Specifications

PRODUCT PROFILE

Domestic warranty details (yrs)	2
Cooktop type	ceramic
Materials/Colour	black ceramic glass

CONTROLS

Controls of Cooktops	touch
Position of controls	right front
Functions of Cooktops	timer,Keep warm function,pause,Hob2Hood,MaxiZone
Indicators/display	fault indicator,residual heat warning lamps
Features of Cooktop	safety cut off,electronic timer,safety child lock,hot surface indicator,MaxiZone,Hob2Hood

DIMENSIONS

Total product height (mm)	51
Total product width (mm)	590
Total product depth (mm)	520
Cut out width (mm)	560
Cut out depth (mm)	490

ELEMENTS/BURNERS

LEFT FRONT ZONE

Left front zone	ceramic
Left front Watts	1200
Left front number of cooking zones	1
Left front diameter mm	140

CONTROLS

Timer of Cooktop programmable 99min,countdown

LEFT REAR ZONE

Left rear zone ceramic

Left rear watts 1800

Left rear number of cooking zones 1

Left rear diameter mm 180

ELECTRICAL SPECIFICATIONS

Connected load KW 5.9

Type of connection hardwired

RIGHT FRONT ZONE

Right front zone ceramic

Right front Watts 3000

Right front number of cooking zones 1

Right front diameter mm 240

SHIPPING

Shipping Volume (m3) 0.044

Shipping Weight (Kg) 8.5

Pack Dimensions Height (mm) 108

Pack Dimension Width (mm) 680

Pack Dimension Depth (mm) 600

STUFFING QUANTITIES

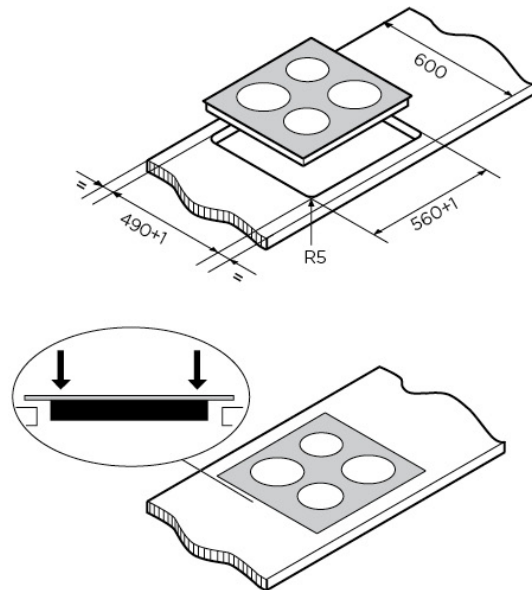
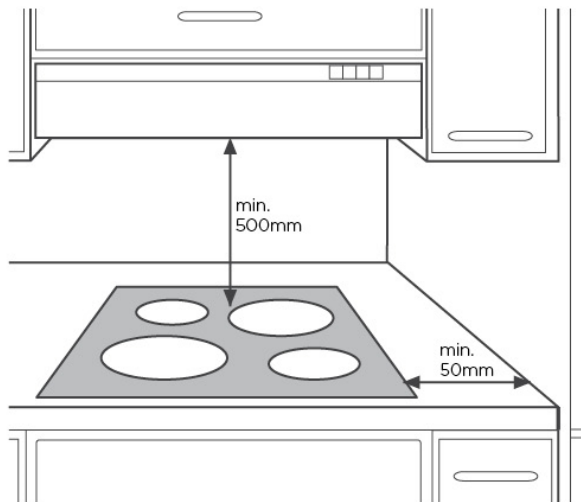
20ft	540
------	-----

40ft HC	1254
---------	------

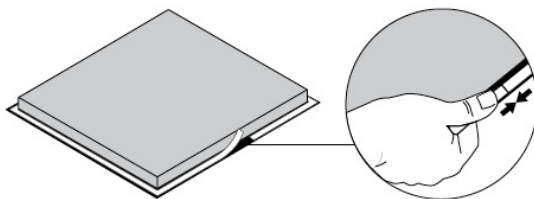
Dimensions

60cm electric cooktops

WHC642BC, WHC642SC, WHC633BD, WHC643BD



NOTE: The clearance must meet or exceed the minimum recommended for both the rangehood and cooktop. Refer to the rangehood installation manual.



⚠ WARNING

Surface temperatures of base exceed 95°C, under bench access must be restricted by use of non-combustible barrier on installation

IMPORTANT

These dimensions are a guide only. All measurements are in millimetres (mm). For complete installation instructions, refer to the manual provided with product.

Terms and Conditions

IMPORTANT

This is a guide of product dimensions only. For complete installation instructions, refer to the manual provided with product.

PRODUCT INFORMATION

The descriptors and illustrations in this publication apply to the specific products and models described as at the date of issue. Under our policy of continuous product development, product specifications may change without notice. Prospective purchasers should therefore check with their retailer to ensure this publication correctly describes the products that are being offered for sale. All information supplied is to be used for general reference purposes only and is on the understanding that Electrolux Home Products Pty Ltd (Australia) and Electrolux (NZ) Ltd (New Zealand) will not be liable for any loss, liability or damage of whatever kind arising as a result of reliance on such information. Colours of products illustrated are as close as printing limitations allow. Electrolux will at all times comply with its obligations pursuant to law including Trade Practices (Australian Consumer Law) Act and Regulations.

WARRANTY

This warranty only applies to Appliances purchased and used in Australia or New Zealand and used in normal domestic applications and is in addition to (and does not exclude, restrict, or modify in any way) any non-excludable statutory warranties in Australia or New Zealand. All warranties are subject to the conditions set out in the warranty card accompanying the product when purchased.

ELECTROLUX HOME PRODUCTS AUSTRALIA

telephone: 1300 363 640

fax: 1800 350 067

email: customercare@electrolux.com.au

web: www.electrolux.com.au

ELECTROLUX HOME PRODUCTS NEW ZEALAND

telephone: 09 573 2230

fax: 09 573 2221

email: customercare@electrolux.co.nz

web: www.electrolux.co.nz