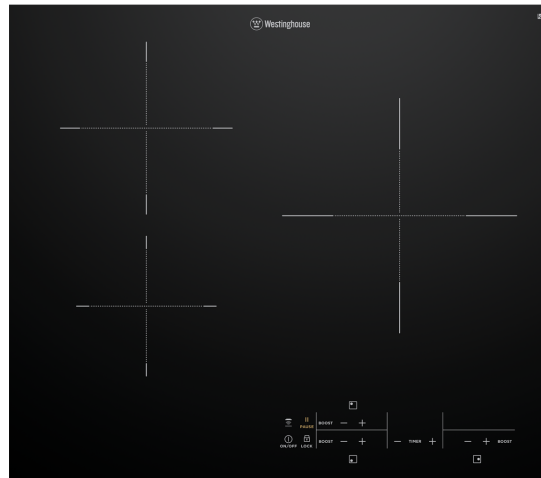


60cm 3 zone induction cooktop with extra large MaxiZone, Hob2Hood, PowerBoost, Pause function and 6.5kW rated input power for hassle-free upgrade from ceramic cooktops.



Product Details

FEATURES

MaxiZone	PowerBoost	Pause	Easy transition from ceramic cooktop
Hob2Hood	6.5kW rated input power	QuickCook Timer	Perfect heat control
Touch control	Easy cleaning	Residual heat indicator	Child safety device

BENEFITS

Larger pans are no problem

Larger pots or pans are catered for with MaxiZone. Our extra large cooking zone ensures that heat will be delivered consistently to large pans to help cook your special dishes to perfection with ease.

Zero to Boil in no time

With PowerBoost, you can rapidly boil a pot of water or quickly heat up a frying pan. Spend less time waiting and more time creating your favourite meals.

Hold everything with our clever Pause function

We know that family life is full of distractions. That's why you'll appreciate our clever Pause function. Simply touch the Pause icon on your cooktop and all operating induction zones will drop to Keep Warm mode. When you're ready to go again, hit Pause again and settings will return to where you left off.

Transition to induction with ease

If switching to an induction cooktop is on your to-do list, you can upgrade with extra ease if your new induction cooktop shares the same rated input power as your old ceramic or electric cooktop. All you will need to do is get used to having instant control of your cooking.

Clear the air with Hob2Hood

With Hob2Hood technology, compatible rangehoods work seamlessly with your induction or ceramic cooktop to clear your kitchen of cooking smells and steam. As you start cooking, the rangehood will automatically turn on then intuitively adjust the fan speed and airflow to match your cooking. How's that for hands-free convenience?

Timed to perfection

Never over-cook or burn dinner again. Just set the cooking time and your cooktop will automatically turn the heat off for you.

Specifications

PRODUCT PROFILE

Domestic warranty details (yrs)	2
Cooktop type	induction
Materials/Colour	black ceramic glass

CONTROLS

Controls of Cooktops	touch
Position of controls	right front
Functions of Cooktops	timer,Keep warm function,pause,PowerBoost
Indicators/display	fault indicator,residual heat warning lamps
Features of Cooktop	safety cut off,electronic timer,safety child lock,hot surface indicator,MaxiZone,Hob2Hood
Timer of Cooktop	programmable 99min,countdown

DIMENSIONS

Total product height (mm)	46
Total product width (mm)	590
Total product depth (mm)	520
Cut out width (mm)	560
Cut out depth (mm)	490

ELEMENTS/BURNERS

LEFT FRONT ZONE

Left front zone	induction
Left front Watts	1400
Left front boost watts	2500
Left front number of cooking zones	1
Left front diameter mm	140

CONTROLS

Readable temperature setting No

LEFT REAR ZONE

Left rear zone induction

Left rear watts 1800

Left rear number of cooking zones 1

Left rear diameter mm 180

ELECTRICAL SPECIFICATIONS

Connected load KW 6.5

Type of connection hardwired

RIGHT FRONT ZONE

Right front zone MaxiZone

Right front Watts 3600

Right front number of cooking zones 1

Right front diameter mm 280

SHIPPING

Shipping Weight (Kg) 11.1

Pack Dimensions Height (mm) 120

Pack Dimension Width (mm) 675

Pack Dimension Depth (mm) 600

STUFFING QUANTITIES

STUFFING QUANTITIES

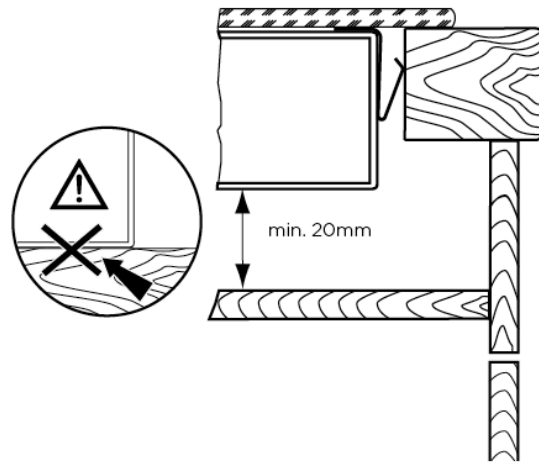
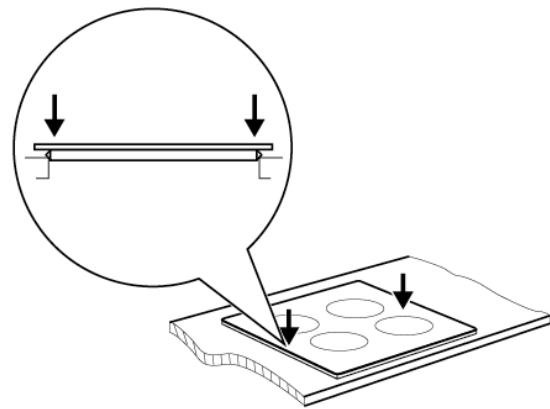
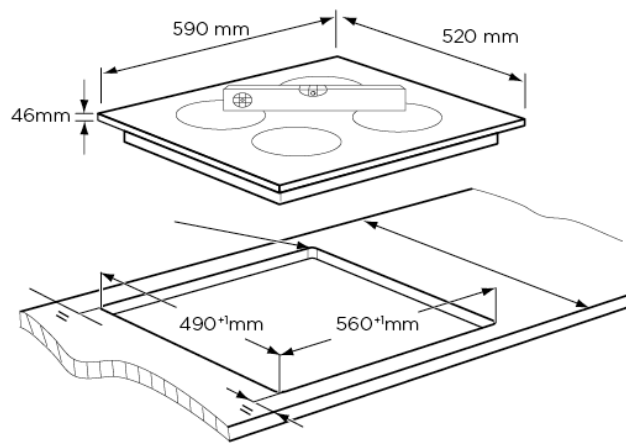
20ft	486
------	-----

40ft HC	1197
---------	------

Dimensions

60cm induction cooktops

WHI633BC, WHI643BC, WHI645BC, WHI641BCA



IMPORTANT

These dimensions are a guide only. All measurements are in millimetres (mm).
For complete installation instructions, refer to the manual provided with product.

Terms and Conditions

IMPORTANT

This is a guide of product dimensions only. For complete installation instructions, refer to the manual provided with product.

PRODUCT INFORMATION

The descriptors and illustrations in this publication apply to the specific products and models described as at the date of issue. Under our policy of continuous product development, product specifications may change without notice. Prospective purchasers should therefore check with their retailer to ensure this publication correctly describes the products that are being offered for sale. All information supplied is to be used for general reference purposes only and is on the understanding that Electrolux Home Products Pty Ltd (Australia) and Electrolux (NZ) Ltd (New Zealand) will not be liable for any loss, liability or damage of whatever kind arising as a result of reliance on such information. Colours of products illustrated are as close as printing limitations allow. Electrolux will at all times comply with its obligations pursuant to law including Trade Practices (Australian Consumer Law) Act and Regulations.

WARRANTY

This warranty only applies to Appliances purchased and used in Australia or New Zealand and used in normal domestic applications and is in addition to (and does not exclude, restrict, or modify in any way) any non-excludable statutory warranties in Australia or New Zealand. All warranties are subject to the conditions set out in the warranty card accompanying the product when purchased.

ELECTROLUX HOME PRODUCTS AUSTRALIA

telephone: 1300 363 640

fax: 1800 350 067

email: customercare@electrolux.com.au

web: www.electrolux.com.au

ELECTROLUX HOME PRODUCTS NEW ZEALAND

telephone: 09 573 2230

fax: 09 573 2221

email: customercare@electrolux.co.nz

web: www.electrolux.co.nz