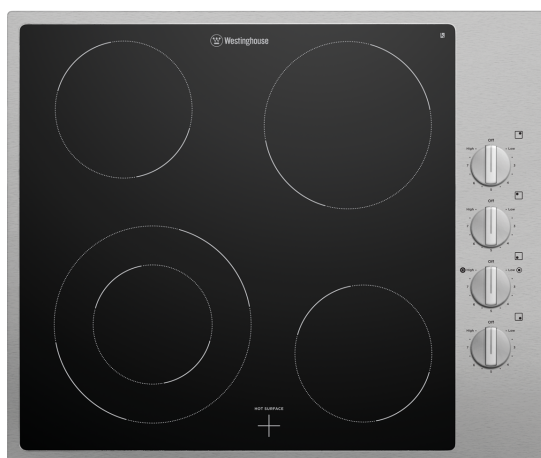


**60cm 4 zone ceramic cooktop with dual variable zone, residual heat indicator, 9 power levels, easy clean ceramic surface and a stainless steel trim.**



## Product Details

### FEATURES

---

Dual Zone

Residual Heat Indicator

Easy clean ceramic surface

2.2kW powerful zone

---

9 power levels

---

### BENEFITS

---

More versatility with variable zones

With Dual Zone functionality you are able to adjust your cooking surface to suit your pot or pan size with ease.

Safety first

Kitchen safety comes before everything else, so our heat indicators show activated hotplates as well as hotplates that are still cooling down.

---

Easy Clean Ceramic Surface

Not only aesthetically pleasing, the full glass ceramic hob with touch controls is easy to use and clean and eliminates dirt traps.

---

# Specifications

## PRODUCT PROFILE

Domestic warranty details (yrs)	2
Cooktop type	ceramic
Materials/Colour	black ceramic glass
Trim finish	stainless steel
Removable trim (for cleaning)	No
Knob Finish	painted silver

## CONTROLS

Controls of Cooktops	knob
Position of controls	right hand side
Indicators/display	residual heat warning lamps
Features of Cooktop	hot surface indicator
Readable temperature setting	No

## DIMENSIONS

Total product height (mm)	46
Total product width (mm)	606
Total product depth (mm)	505
Cut out width (mm)	560
Cut out depth (mm)	490

## ELEMENTS/BURNERS

### LEFT FRONT ZONE

Left front zone	ceramic dual
Left front Watts	2200
Left front number of cooking zones	2

## LEFT REAR ZONE

---

Left rear zone	ceramic
----------------	---------

---

Left rear watts	1200
-----------------	------

---

Left rear number of cooking zones	1
-----------------------------------	---

---

## RIGHT REAR ZONE

---

Right rear zone	ceramic
-----------------	---------

---

Right rear watts	1200
------------------	------

---

Right rear number of cooking zones	1
------------------------------------	---

---

## SHIPPING

---

Shipping Weight (Kg)	9
----------------------	---

---

Pack Dimensions Height (mm)	108
-----------------------------	-----

---

Pack Dimension Width (mm)	680
---------------------------	-----

---

Pack Dimension Depth (mm)	600
---------------------------	-----

---

## RIGHT FRONT ZONE

---

Right front zone	ceramic
------------------	---------

---

Right front Watts	1800
-------------------	------

---

Right front number of cooking zones	1
-------------------------------------	---

---

## ELECTRICAL SPECIFICATIONS

---

Connected load KW	6.4
-------------------	-----

---

Type of connection	hardwired
--------------------	-----------

---

## STUFFING QUANTITIES

---

20ft	540
------	-----

---

40ft	1140
------	------

---

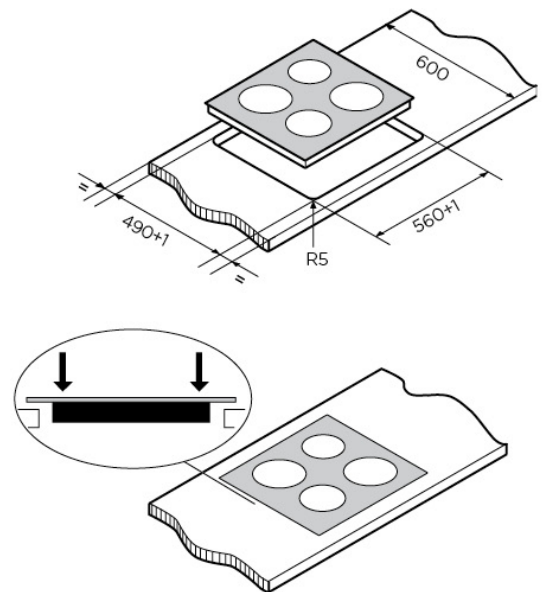
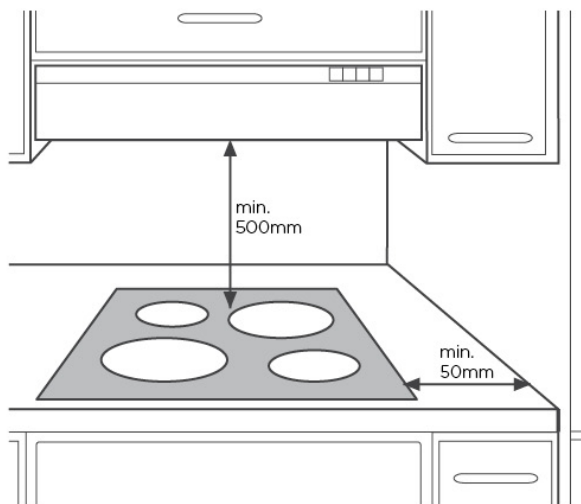
40ft HC	1254
---------	------

---

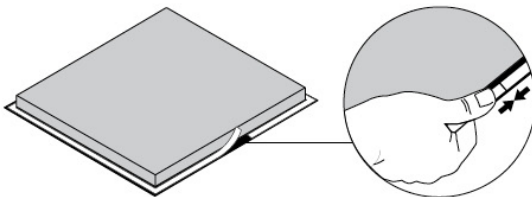
## Dimensions

### 60cm electric cooktops

WHC642BC, WHC642SC, WHC633BD, WHC643BD



*NOTE: The clearance must meet or exceed the minimum recommended for both the rangehood and cooktop. Refer to the rangehood installation manual.*



 **WARNING**

Surface temperatures of base exceed 95°C, under bench access must be restricted by use of non-combustible barrier on installation

**IMPORTANT**

These dimensions are a guide only. All measurements are in millimetres (mm). For complete installation instructions, refer to the manual provided with product.

# Terms and Conditions

## IMPORTANT

This is a guide of product dimensions only. For complete installation instructions, refer to the manual provided with product.

## PRODUCT INFORMATION

The descriptors and illustrations in this publication apply to the specific products and models described as at the date of issue. Under our policy of continuous product development, product specifications may change without notice. Prospective purchasers should therefore check with their retailer to ensure this publication correctly describes the products that are being offered for sale. All information supplied is to be used for general reference purposes only and is on the understanding that Electrolux Home Products Pty Ltd (Australia) and Electrolux (NZ) Ltd (New Zealand) will not be liable for any loss, liability or damage of whatever kind arising as a result of reliance on such information. Colours of products illustrated are as close as printing limitations allow. Electrolux will at all times comply with its obligations pursuant to law including Trade Practices (Australian Consumer Law) Act and Regulations.

## WARRANTY

This warranty only applies to Appliances purchased and used in Australia or New Zealand and used in normal domestic applications and is in addition to (and does not exclude, restrict, or modify in any way) any non-excludable statutory warranties in Australia or New Zealand. All warranties are subject to the conditions set out in the warranty card accompanying the product when purchased.

### ELECTROLUX HOME PRODUCTS AUSTRALIA

telephone: 1300 363 640

fax: 1800 350 067

email: [customercare@electrolux.com.au](mailto:customercare@electrolux.com.au)

web: [www.electrolux.com.au](http://www.electrolux.com.au)

### ELECTROLUX HOME PRODUCTS NEW ZEALAND

telephone: 09 573 2230

fax: 09 573 2221

email: [customercare@electrolux.co.nz](mailto:customercare@electrolux.co.nz)

web: [www.electrolux.co.nz](http://www.electrolux.co.nz)