

**90cm multi-function 15 dark stainless steel oven with twin fan system, fast heat up, full touch TFT controls and 125L gross capacity. ONLY AVAILABLE COMMERCIALY.**



## Product Details

### FEATURES

---

Fast Heat Up

TFT touchscreen controls

Twin Fan System

Easy guide side racks

---

Cooler to Touch Doors

Large 125L gross oven capacity

Dark Stainless Steel Finish

---

### BENEFITS

---

**Dinner's done sooner with our fast heat up oven**  
Why wait longer? Our fast oven heat up means you can get on with the job of getting dinner on the table sooner.

**Twin fan system for even cooking**  
Cook each dish to perfection with the Twin Fan System. Fans rotate in opposite directions, distributing heat evenly throughout the oven, so you enjoy great results every time.

---

**New Easy-to-use controls**  
Using our ovens TFT control panel is easier than ordering online food. Oven functions are grouped together to make selecting the right option faster and easier than ever. We even have 4 four options under AirFry to help you select the right one for the right food.

**Cooler to touch oven doors**  
Beautifully designed with Australian families in mind, the multi-layer glazing of our oven doors are cooler to the touch when the oven is hot.

---

**Built in Australia**  
Westinghouse, has been the heart of the home for generations and the kitchen appliance brand we have always known and trusted to build reliable products. This oven is built in a local factory in Adelaide.

**All the room for all your family favourites**  
If you are serious about creating delicious family feasts and you love entertaining, you'll be right at home with our 90cm oven with a generous 125L gross capacity. That's plenty of room for the biggest Christmas turkey or a weekend roast for all the family. The extra width makes getting things in and out super easy.

---

**Place your shelves in with ease**  
Our easy guide side racks allow you to place your oven shelves in with ease.

---

## Specifications

### PRODUCT PROFILE

---

Domestic warranty details (yrs)	2
Type of Oven	single oven
Oven fuel	electric
Materials/Colour	Dark stainless steel
Controls of Oven	TFT touchscreen
Cooling fan	Yes

### FLUSH FIT CUT OUT

---

Flush fit cut out height (mm)	600
Flush fit cut out width (mm)	900
Flush fit cut out depth (mm)	581

### DIMENSIONS

---

#### PRODUCT DIMENSION

---

Total height (mm)	596
Total width (mm)	895
Total depth (mm)	573

### MAIN OVEN

---

Gross capacity litres	125
Useable capacity litres	116
Oven function	multifunction
Number of functions	15

## MAIN OVEN

Oven Functions	pizza,rapid heat,base heat,fan assist bake,fan grill,defrost,maxi grill,traditional bake,roast,fan forced cooking,grill,keep warm,slow cook,dough proving
Oven liner	pyrolux high temperature enamel
Timer functions	duration,end,minute minder,oven start
Light wattage	25

## ELECTRICAL CONNECTION

Connected load KW	3.5
Maximum current rating (amps)	14.6
Type of connection	hardwired

## OTHER FEATURES

Cleaning	easy clean door
Door	removable door,removable inner glass panes,drop down
Timer	Fully programmable touch control timer
Lights	2
Light wattage	25
Light position	top
Shelf support	Easy glide side racks

## OTHER FEATURES

---

Number of shelves	2
-------------------	---

---

Safety features	cool door
-----------------	-----------

---

Closed door grilling	Yes
----------------------	-----

---

Fold down grill element	Yes
-------------------------	-----

---

Included accessories	2 x chromed wire shelf,grill/oven pan,grill insert
----------------------	--

---

Layers of glass in door	3
-------------------------	---

---

Number of shelf positions	5
---------------------------	---

---

## COOKTOP (IF APPLICABLE)

## PRODUCT PROFILE

---

Knob finish	Metalised dark finish
-------------	-----------------------

---

## SHIPPING

---

Shipping Volume (m3)	0.675
----------------------	-------

---

Shipping Weight (Kg)	65
----------------------	----

---

Pack Dimensions Height (mm)	900
-----------------------------	-----

---

Pack Dimension Width (mm)	1000
---------------------------	------

---

Pack Dimension Depth (mm)	750
---------------------------	-----

---

STUFFING QUANTITIES

---

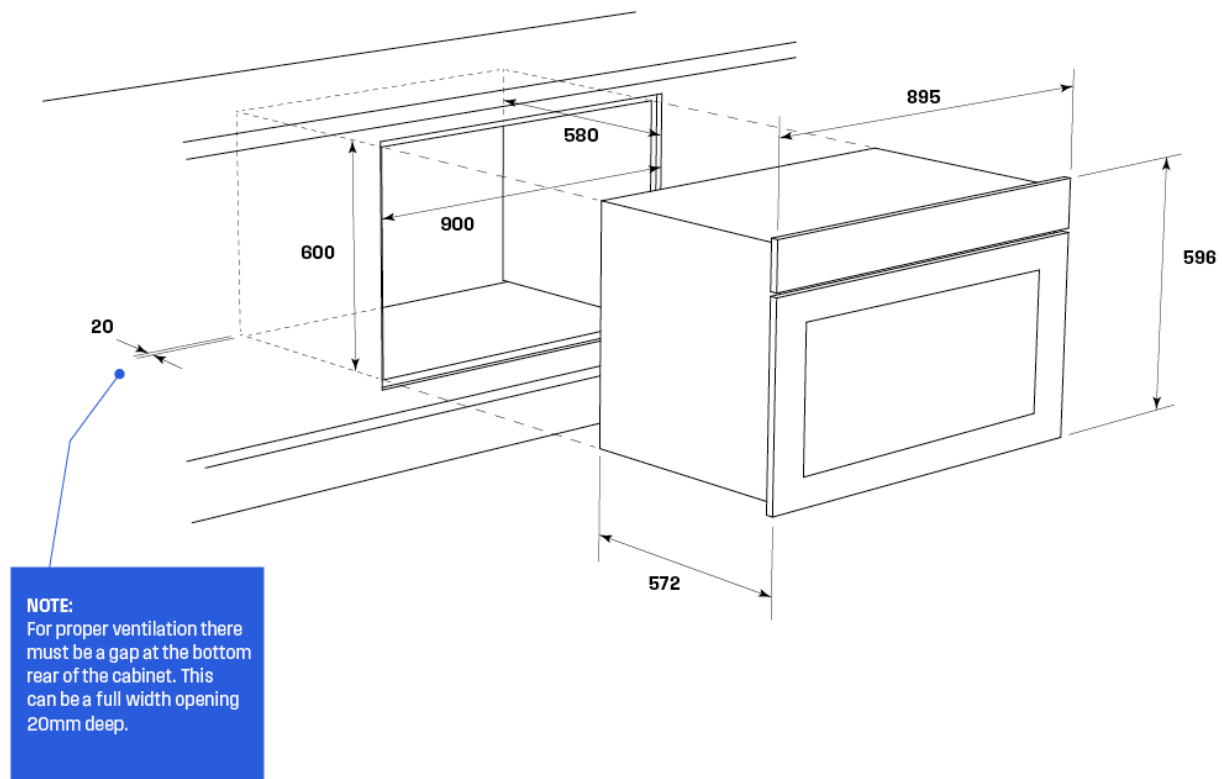
40ft	96
------	----

---

## Dimensions

### 90cm ovens

WVE9515SD, WVE9516DD, WVEP9716SD, WVEP9917DD,  
WVE9915DDA, WVE9915SDA



#### IMPORTANT

These dimensions are a guide only. All measurements are in millimetres (mm).  
For complete installation instructions, refer to the manual provided with product.

# Terms and Conditions

## IMPORTANT

This is a guide of product dimensions only. For complete installation instructions, refer to the manual provided with product.

## PRODUCT INFORMATION

The descriptors and illustrations in this publication apply to the specific products and models described as at the date of issue. Under our policy of continuous product development, product specifications may change without notice. Prospective purchasers should therefore check with their retailer to ensure this publication correctly describes the products that are being offered for sale. All information supplied is to be used for general reference purposes only and is on the understanding that Electrolux Home Products Pty Ltd (Australia) and Electrolux (NZ) Ltd (New Zealand) will not be liable for any loss, liability or damage of whatever kind arising as a result of reliance on such information. Colours of products illustrated are as close as printing limitations allow. Electrolux will at all times comply with its obligations pursuant to law including Trade Practices (Australian Consumer Law) Act and Regulations.

## WARRANTY

This warranty only applies to Appliances purchased and used in Australia or New Zealand and used in normal domestic applications and is in addition to (and does not exclude, restrict, or modify in any way) any non-excludable statutory warranties in Australia or New Zealand. All warranties are subject to the conditions set out in the warranty card accompanying the product when purchased.

### ELECTROLUX HOME PRODUCTS AUSTRALIA

telephone: 1300 363 640

fax: 1800 350 067

email: [customercare@electrolux.com.au](mailto:customercare@electrolux.com.au)

web: [www.electrolux.com.au](http://www.electrolux.com.au)

### ELECTROLUX HOME PRODUCTS NEW ZEALAND

telephone: 09 573 2230

fax: 09 573 2221

email: [customercare@electrolux.co.nz](mailto:customercare@electrolux.co.nz)

web: [www.electrolux.co.nz](http://www.electrolux.co.nz)