

**60cm multi-function 5 white oven with separate grill, fast heat up, programmable timer, easy guide side racks, knob controls and 80L gross capacity.**



## Product Details

### FEATURES

---

Fast Heat Up

Programmable timer

Easy guide side racks

Cooler to Touch Doors

---

80L gross capacity oven

Handy separate grilling compartment

Knob control

---

### BENEFITS

---

**Dinner's done sooner with our fast heat up oven**  
Why wait longer? Our fast oven heat up means you can get on with the job of getting dinner on the table sooner.

**Set and forget**  
Set the timer for your cook, and our oven will switch off when it's done.

---

**Place your shelves in with ease**  
Our easy guide side racks allow you to place your oven shelves in with ease.

**Cooler to touch oven doors**  
Beautifully designed with Australian families in mind, the multi-layer glazing of our oven doors are cooler to the touch when the oven is hot.

---

**Family meals made easy**  
With room for the family roast or a delicious dessert, our 80L capacity in our 60cm oven range allows you to make every mealtime easy and full of flavour.

**Built in Australia**  
Westinghouse, has been the heart of the home for generations and the kitchen appliance brand we have always known and trusted to build reliable products. This oven is built in a local factory in Adelaide.

---

## Specifications

### PRODUCT PROFILE

---

Domestic warranty details (yrs)	2
Type of Oven	separate grill wall oven
Oven fuel	electric
Materials/Colour	white
Controls of Oven	control knob,3 button touch control LED
Cooling fan	Yes

---

### FLUSH FIT CUT OUT

---

Flush fit cut out height (mm)	893
Flush fit cut out width (mm)	600
Flush fit cut out depth (mm)	581

---

### MAIN OVEN

### DIMENSIONS

---

#### PRODUCT DIMENSION

---

Total height (mm)	890
Total width (mm)	596
Total depth (mm)	573

---

### PROUD FIT CUT OUT

---

Proud fit cut out height (mm)	885
Proud fit cut out width (mm)	565
Proud fit cut out depth (mm)	560

---

### SECOND OVEN OR GRILL

## MAIN OVEN

---

Gross capacity litres	80
-----------------------	----

---

Useable capacity litres	72
-------------------------	----

---

Oven function	multifunction
---------------	---------------

---

Number of functions	5
---------------------	---

---

Oven Functions	rapid heat,defrost,base heat,bake/pizza,fan forced cooking
----------------	--

---

Timer functions	minute minder,Cook time,End time,Delayed start,Time of day,24 hour clock
-----------------	--

---

## ELECTRICAL CONNECTION

---

Connected load KW	5.3
-------------------	-----

---

Maximum current rating (amps)	22.1
-------------------------------	------

---

Type of connection	hardwired
--------------------	-----------

---

## SECOND OVEN OR GRILL

---

Gross capacity litres	46
-----------------------	----

---

Useable capacity litres	38
-------------------------	----

---

Oven Functions	grill
----------------	-------

---

Fold down grill element	No
-------------------------	----

---

Closed door grilling	No
----------------------	----

---

Shelf support	side rack
---------------	-----------

---

## OTHER FEATURES

---

Door	drop down
------	-----------

---

Timer	3 button touch control programmable timer
-------	---

---

Lights	1
--------	---

---

Light wattage	25
---------------	----

---

Light position	rear
----------------	------

---

Shelf support	Easy glide side racks
---------------	-----------------------

---

Safety features	cool door
-----------------	-----------

---

## OTHER FEATURES

---

Closed door grilling	No
----------------------	----

---

Included accessories	grill/oven pan, 2 x chromed wire shelf, baking tray, side racks, grill insert
----------------------	---

---

Layers of glass in door	2
-------------------------	---

---

Number of shelf positions	5
---------------------------	---

---

## SHIPPING

---

Shipping Weight (Kg)	46.5
----------------------	------

---

Pack Dimensions Height (mm)	960
-----------------------------	-----

---

Pack Dimension Width (mm)	635
---------------------------	-----

---

Pack Dimension Depth (mm)	670
---------------------------	-----

---

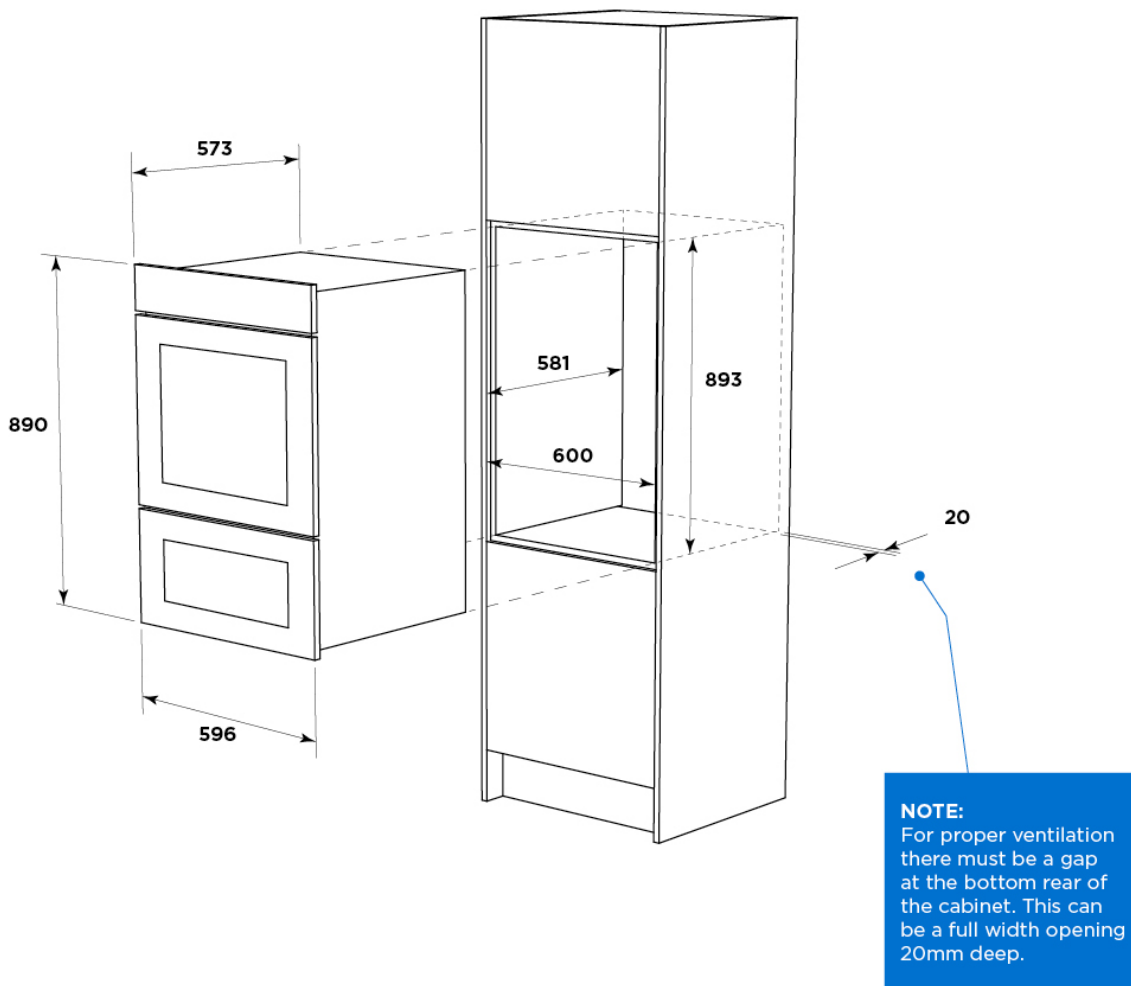
## STUFFING QUANTITIES

---

40ft	96
------	----

---

## Dimensions



**IMPORTANT**

These dimensions are a guide only. All measurements are in millimetres (mm). For complete installation instructions, refer to the manual provided with product.

# Terms and Conditions

## IMPORTANT

This is a guide of product dimensions only. For complete installation instructions, refer to the manual provided with product.

## PRODUCT INFORMATION

The descriptors and illustrations in this publication apply to the specific products and models described as at the date of issue. Under our policy of continuous product development, product specifications may change without notice. Prospective purchasers should therefore check with their retailer to ensure this publication correctly describes the products that are being offered for sale. All information supplied is to be used for general reference purposes only and is on the understanding that Electrolux Home Products Pty Ltd (Australia) and Electrolux (NZ) Ltd (New Zealand) will not be liable for any loss, liability or damage of whatever kind arising as a result of reliance on such information. Colours of products illustrated are as close as printing limitations allow. Electrolux will at all times comply with its obligations pursuant to law including Trade Practices (Australian Consumer Law) Act and Regulations.

## WARRANTY

This warranty only applies to Appliances purchased and used in Australia or New Zealand and used in normal domestic applications and is in addition to (and does not exclude, restrict, or modify in any way) any non-excludable statutory warranties in Australia or New Zealand. All warranties are subject to the conditions set out in the warranty card accompanying the product when purchased.

### ELECTROLUX HOME PRODUCTS AUSTRALIA

telephone: 1300 363 640

fax: 1800 350 067

email: [customercare@electrolux.com.au](mailto:customercare@electrolux.com.au)

web: [www.electrolux.com.au](http://www.electrolux.com.au)

### ELECTROLUX HOME PRODUCTS NEW ZEALAND

telephone: 09 573 2230

fax: 09 573 2221

email: [customercare@electrolux.co.nz](mailto:customercare@electrolux.co.nz)

web: [www.electrolux.co.nz](http://www.electrolux.co.nz)