

**54cm stainless steel dual fuel freestanding cooker with separate electric grill, fan forced electric oven, 120 minute timer with ringer, 4 burner gas cooktop with 14.2 mj/hr wok burner and cast iron trivets.**



## Product Details

### FEATURES

---

|                          |   |                                  |                         |
|--------------------------|---|----------------------------------|-------------------------|
| Electric fan forced oven | Handy separate grilling compartment   | Easy clean formed shelf supports | 2 hour mechanical timer |
| Durable cast trivets     | High powered 14MJ/h wok burner  | Triple ring wok burner           | Electronic ignition     |
| Gas cooktop              | FamilySafe Flame Failure Device<br>Stops the gas supply if the flame is extinguished. |                                  |                         |

---

### BENEFITS

---

**Fan forced for even cooking**  
When it comes to cooking, one of the biggest is even heat distribution over your dishes. By using fan forced cooking you are able to create an even cooking result.

**Grill separately for smooth entertaining**  
The separate grilling compartment on selected models means you can entertain guests and cook big family meals with absolute ease and without compromising on precious oven space.

**Set for 2 hours and it will ring**  
The mechanical timer keeps track of your cooking time for 2 hours with a ringer to let you know you are ready to restart the timer or finish your dish.

**Clean your shelf supports with ease**  
When it comes to cleaning your oven we want it to be fuss free, given the design of our shelf supports you can clean the sides of your oven with ease as there are no racks to be removed.

**Bring out the flavour with high heat**  
Whip up tasty stir-fries and more with our high-powered wok burner. You'll get the high heat you need with 14 MJ/h of power at its highest setting.

**Family safety first**  
Our cast iron trivets flat design ensure the base of your pots and pans are fully supported, allowing you to have a safe and stable cooking environment.

#### Built in Australia

Westinghouse, has been the heart of the home for generations and the kitchen appliance brand we have always known and trusted to build reliable products. This oven is built in a local factory in Adelaide.

---

## Specifications

### PRODUCT PROFILE

---

|                                 |                 |
|---------------------------------|-----------------|
| Domestic warranty details (yrs) | 2               |
| Oven fuel                       | electric        |
| Materials/Colour                | stainless steel |
| Controls of Oven                | control knob    |
| Cooling fan                     | No              |
| Plinth colour (kickboard)       | stainless steel |
| Anti tilt plate                 | Yes             |
| Front/rear controls             | front           |

---

### MAIN OVEN

---

|                         |                 |
|-------------------------|-----------------|
| Gross capacity litres   | 80              |
| Useable capacity litres | 74              |
| Oven function           | fan forced      |
| Cleaning                | easy clean door |

---

### DIMENSIONS

---

#### PRODUCT DIMENSION

---

|                   |     |
|-------------------|-----|
| Total height (mm) | 970 |
| Total width (mm)  | 540 |
| Total depth (mm)  | 630 |

---

### SECOND OVEN OR GRILL

---

|                         |        |
|-------------------------|--------|
| Gross capacity litres   | 22     |
| Fold down grill element | No     |
| Closed door grilling    | No     |
| Shelf support           | slides |

---

## MAIN OVEN

---

|                           |                                  |
|---------------------------|----------------------------------|
| Oven liner                | enamel                           |
| Timer functions           | acoustic signal                  |
| Lights                    | 1                                |
| Light wattage             | 25                               |
| Light position            | rear                             |
| Layers of glass in door   | 2                                |
| Shelf support             | easy clean formed shelf supports |
| Number of shelves         | 2                                |
| Number of shelf positions | 5                                |
| Safety features           | flame failure safety device      |
| Closed door grilling      | No                               |
| Fold down grill element   | No                               |

## ELECTRICAL CONNECTION

---

|                    |                 |
|--------------------|-----------------|
| Connected load KW  | 4.0             |
| Type of connection | 20A plug & lead |

## SECOND OVEN OR GRILL

---

|                           |   |
|---------------------------|---|
| Number of shelf positions | 1 |
|---------------------------|---|

---

## GAS SPECIFICATIONS

---

|                         |      |
|-------------------------|------|
| Maximum gas rating (NG) | 37.5 |
|-------------------------|------|

---

## STUFFING QUANTITIES

---

|         |     |
|---------|-----|
| 40ft    | 128 |
| 40ft HC | 152 |

---

## ELEMENTS/BURNERS

---

|               |   |
|---------------|---|
| Cooking zones | 4 |
|---------------|---|

---

## FEATURES

---

|               |            |
|---------------|------------|
| Trivets       | cast iron  |
| Ignition type | electronic |

---

## COOKTOP (IF APPLICABLE)

---

### PRODUCT PROFILE

---

|                  |                 |
|------------------|-----------------|
| Cook top type    | gas             |
| Materials/Colour | stainless steel |
| Trim finish      | stainless steel |

---

## LEFT REAR ZONE

---

|                |        |
|----------------|--------|
| Left rear zone | simmer |
|----------------|--------|

---

## CONTROLS

---

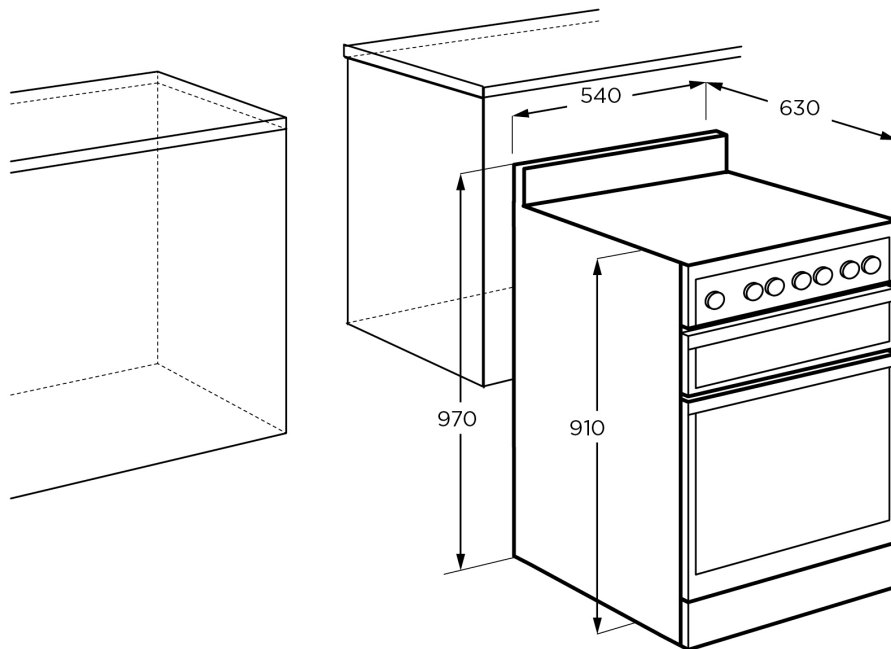
|                      |       |
|----------------------|-------|
| Position of controls | front |
|----------------------|-------|

---

## Dimensions

### 54cm Front Control Freestanding Cooker, Separate Grill

WFE512SC, WFE542SC, WFE532WC



#### IMPORTANT

These dimensions are a guide only. All measurements are in millimetres (mm).  
For complete installation instructions, refer to the manual provided with product.

# Terms and Conditions

## IMPORTANT

This is a guide of product dimensions only. For complete installation instructions, refer to the manual provided with product.

## PRODUCT INFORMATION

The descriptors and illustrations in this publication apply to the specific products and models described as at the date of issue. Under our policy of continuous product development, product specifications may change without notice. Prospective purchasers should therefore check with their retailer to ensure this publication correctly describes the products that are being offered for sale. All information supplied is to be used for general reference purposes only and is on the understanding that Electrolux Home Products Pty Ltd (Australia) and Electrolux (NZ) Ltd (New Zealand) will not be liable for any loss, liability or damage of whatever kind arising as a result of reliance on such information. Colours of products illustrated are as close as printing limitations allow. Electrolux will at all times comply with its obligations pursuant to law including Trade Practices (Australian Consumer Law) Act and Regulations.

## WARRANTY

This warranty only applies to Appliances purchased and used in Australia or New Zealand and used in normal domestic applications and is in addition to (and does not exclude, restrict, or modify in any way) any non-excludable statutory warranties in Australia or New Zealand. All warranties are subject to the conditions set out in the warranty card accompanying the product when purchased.

### ELECTROLUX HOME PRODUCTS AUSTRALIA

telephone: 1300 363 640

fax: 1800 350 067

email: [customercare@electrolux.com.au](mailto:customercare@electrolux.com.au)

web: [www.electrolux.com.au](http://www.electrolux.com.au)

### ELECTROLUX HOME PRODUCTS NEW ZEALAND

telephone: 09 573 2230

fax: 09 573 2221

email: [customercare@electrolux.co.nz](mailto:customercare@electrolux.co.nz)

web: [www.electrolux.co.nz](http://www.electrolux.co.nz)