



# Soho Basin Mixer

**Product Image**

**Product Details**



**Code:** TVW3363561  
**Brand:** Villeroy & Boch  
**Range:** Soho  
**Warranty:** 15 Years\*  
**WELS:** 6 Star 4.5 LPM, Reg #: T40925

**Additional Features**

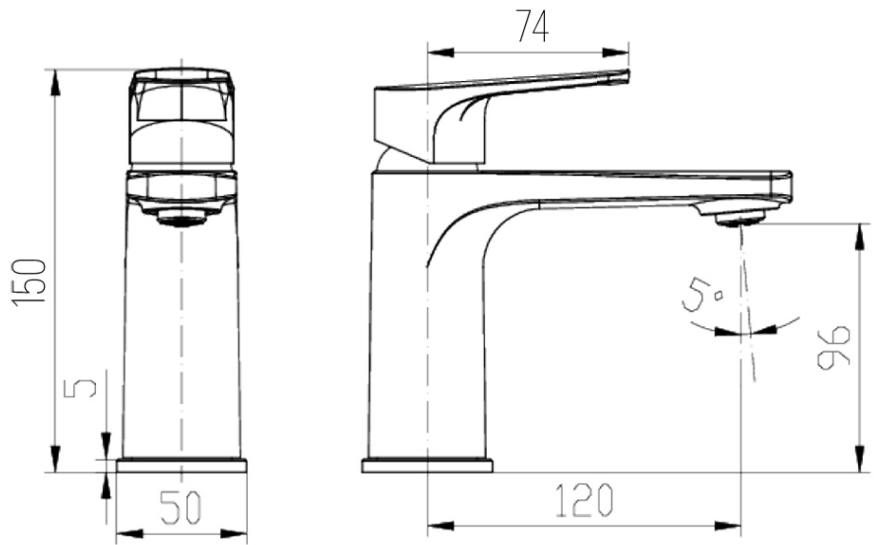
**Technical Specification**

**Required Product**

**Recommended Products**

**Additional Notes**

- 35mm Ceramic Cartridge



\*Please visit [argentaust.com.au/warranty](http://argentaust.com.au/warranty) to view the full warranty

*Note: All dimensions are in millimetres and are subject to normal manufacturing variations. Always use the physical product measurements for cut-outs and rough-ins as the technical details shown may differ from the actual product. Use acetic cured silicone sealant. Do not use epoxy type adhesives. Clean with damp cloth. Do not use abrasive cleaners, liquids or pastes.*

