



# Antao 510 Vessel Basin

CERAMICPLUS | NO OVERFLOW | ALMOND

**Product Image**



**Product Details**

<b>Code:</b>	<b>4A7351AM</b>
Brand:	Villeroy & Boch
Range:	Antao
Warranty:	10 Years*
Product Width:	510 mm
Product Depth:	400 mm
WELS:	N/A

**Additional Features**

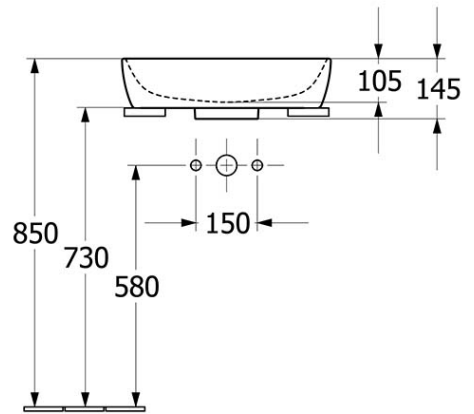
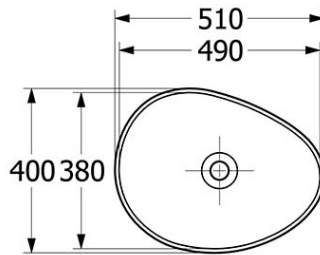
**Technical Specification**

**Required Product**  
32mm Waste

**Recommended Products**  
K316-D Pop Up Waste series

**Additional Notes**

- Supplied with non-closeable waste
- Check for suitability to your requirements.



\*Please visit [argentaust.com.au/warranty](http://argentaust.com.au/warranty) to view the full warranty

*Note: All dimensions are in millimetres and are subject to normal manufacturing variations. Always use the physical product measurements for cut-outs and rough-ins as the technical details shown may differ from the actual product. Use acetic cured silicone sealant. Do not use epoxy type adhesives. Clean with damp cloth. Do not use abrasive cleaners, liquids or pastes.*

