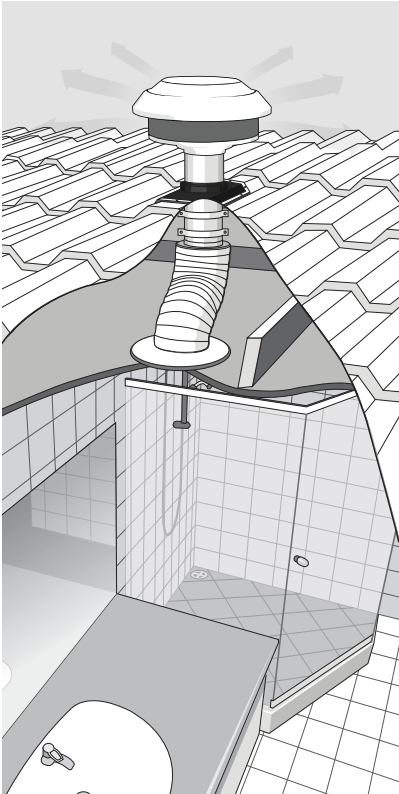


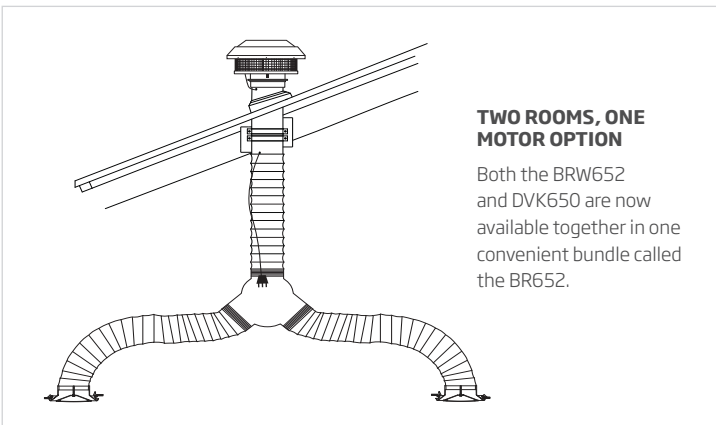


BRW650, BRW652 // SILENT Multi-Purpose Exhaust Fan



The Ecodrive -powered silent exhaust fan whisks away odours, steam, stale air and humidity in seconds with up to 850m³/hr airflow - efficiently reducing airborne bacteria and preventing mould growth.

Designed to be installed through the roof, wall or eave and suitable for almost any room in your unit, apartment, townhouse, single or multi-storey house - the BRW650 can also be vented to 2 adjacent rooms with the optional DVK650 or BRW652 kit.



PRODUCT DESCRIPTION

- Universal mounting options - Roof or Wall
- Patented anti-water intrusion, weather protection system (IPX4 rated)
- Acoustic dome with super quiet, long vane, backward curved centrifugal fan
- Motor can be mounted up to 4 metres from the vent
- 5 Year Warranty on the motor
- Can be installed and vented to 2 adjacent rooms with the optional DVK650 kit.

TECHNICAL DATA

BRW650

- Motor includes:
 - Fan Module
 - Exhaust Vent
 - Weather shield
 - Fire resistant 200mm metal pipe
 - Flexible Ducting (4m)
 - Back Draught Shutter System
 - Instruction Manual

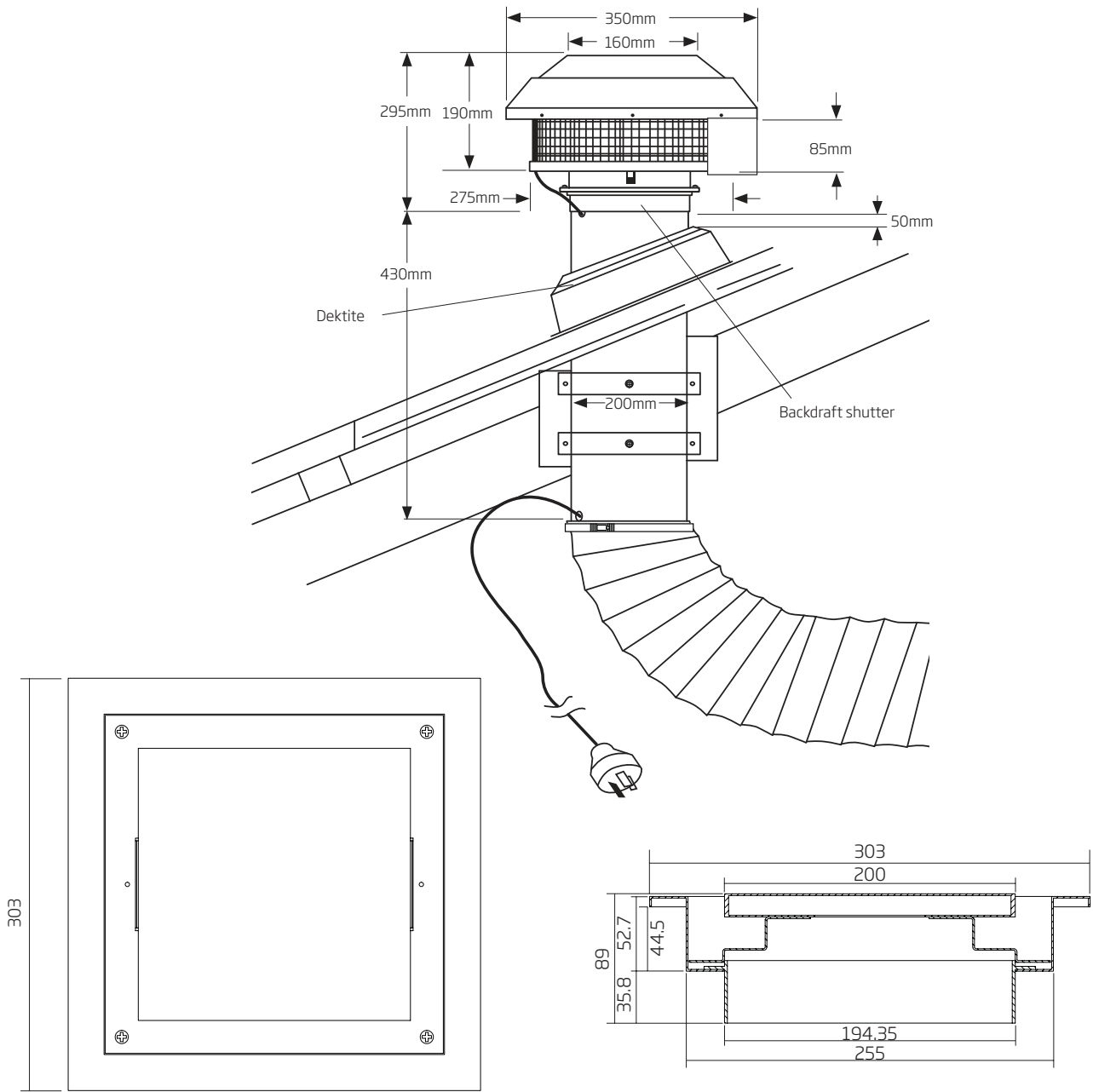
ECODRIVE® OPTIONS

- **ET** single external motor
 - 850 m³/h airflow
 - 200mm flexi ducting (4m)
 - install roof/wall





BRW650, BRW652 // SILENT Multi-Purpose Exhaust Fan



Two timber support batons by installer

