



DS3131-R2S, DS3131-R2BS // 90cm // SILENT with LED Strip



// DS3131-R2S (90cm)



The DS3131-R2S delivers high performance and style with silent and powerful extraction capability. The striking blue LED illumination strip creates a beautiful visual statement in any kitchen, forging a perfect union of form and function.

Other convenient features include soft-touch controls with 5 speed levels and a 10 minute auto shut-off timer, so you can leave the kitchen and the rangehood will switch off after clearing the air.



// DS3131-R2BS (90cm)

DESCRIPTION

- Stainless steel and Matte black available
- blue light display
- silent Isodrive® motor system
- soft-touch controls, digital display
- 5 x speed levels
- 15 minute delay timer with auto shut-off
- 2 x LED lights
- stainless steel, dishwasher safe filters
- 5 Year Warranty on canopy

ISODRIVE® OPTIONS

- **ST** single external motor
 - 900 m³/h airflow
 - 200mm SteelFlex™ ducting (4m)
 - install roof/wall
 - rated power: 57W
- **SP** single external motor
 - 1600 m³/h airflow
 - 200mm SteelFlex™ ducting (6m)
 - install roof/wall
 - rated power: 155W

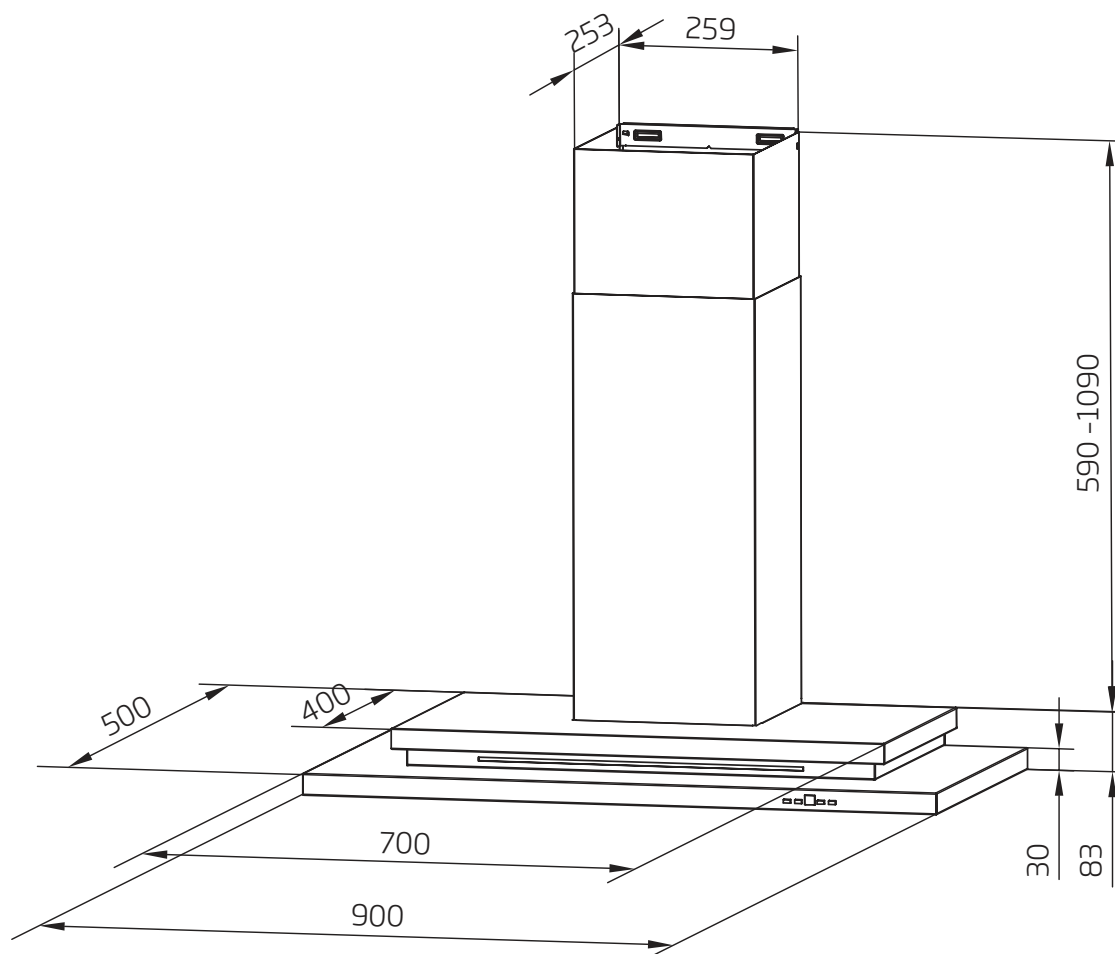
TECHNICAL DATA

DS3131-R2S

- dimensions: (W x D)
898 x 500 mm
- 3 x mesh filters



DS3131-R2S, DS3131-R2BS // 90cm // SILENT with LED Strip



Model: DS3131-R2S, DS3131-R2BS

Feeding Voltage: 220-240V 50Hz

Max Lamp Power: 2 x 3W