

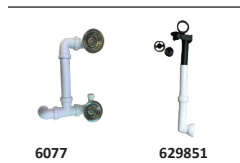
TN200 - NTH TYPOS UNDERMOUNT

CRISTALITE⁺



TN200C product shown

INCLUDED ACCESSORIES



6077

629851

OPTIONAL ACCESSORIES



DR007



SLCB



CBB540XA

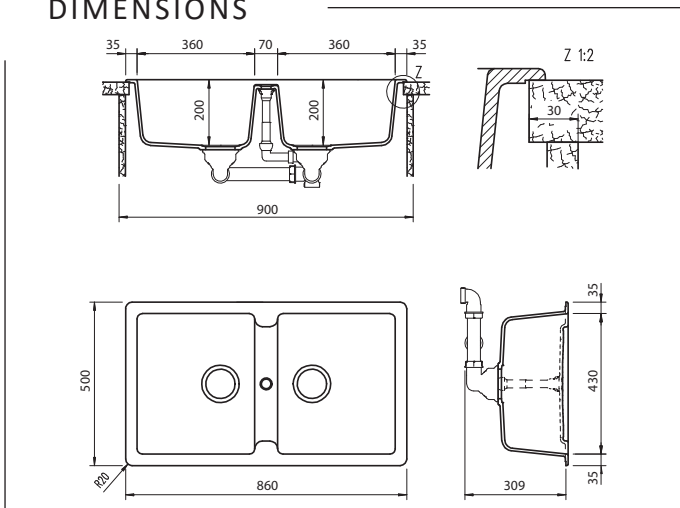


629725S +
629725EDM



629099

DIMENSIONS



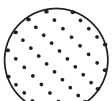
SPECIFICATIONS

Description	Double Bowl, Undermount
Overall Sink Size	L860mm x W500mm x D200mm
Bowl Dimensions	2 x L430mm x W360mm x D200mm
Drainer Length	410mm
Bowl Radius	10mm
Water Capacity	24 Litres (each bowl)
Technic	Granite Sink
Material	Granite - Cristalite

INSTALLATION

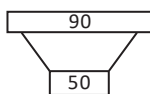
Fixings	Fixing clips supplied
Min Cabinet Size	900mm
Tap Holes	NTH

SURFACE FINISH



STONEY TEXTURE

WASTE KIT



90

50

MATERIAL



CRISTALITE⁺

PLUMBING

Waste Fittings	2 x (90mm x 2") basket waste included
Overflow	Included

INSTALLATION OPTIONS



UNDERMOUNT

PACKAGING

Gross Weight	20kg
Carton Size	1030mm x 580mm x 320mm
Pack QTY	1

AVAILABLE IN



TN200W-NTH
(ALPINA)



TN200B-NTH
(ONYX)



TN200C-NTH
(CONCRETE)



TN200CR-NTH
(CROMA)



TN200N-NTH
(NERO)