



Urinal Flush Valve Body

Product Image



Product Details

SKU:	011430099
Brand:	Schell
Range:	Urinal
Warranty:	2 Years
WELS:	2 Star 2.3 LPM, Reg #: U00391

Additional Features

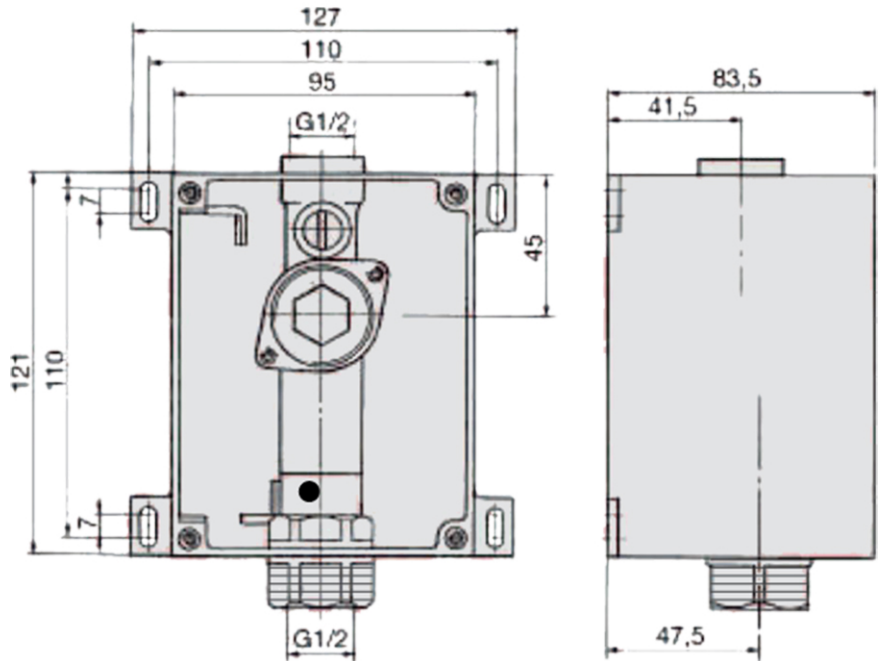
Required Product
 Mechanical OR Electronic
 Activation Device

Recommended Products

Additional Notes

- * Includes Integral Air Break
- * Includes Isolating Valve
- * Mechanical Activation Device
02800699B
- * Mechanical Activation Device
028001599B
- * Electronic Activation Device
010170099
- * Optional Blanking Plate Available
230442831

Technical Specification



Note: All dimensions are in millimetres and are subject to normal manufacturing variations. Always use the physical product measurements for cut-outs and rough-ins as the technical details shown may differ from the actual product. Use acetic cured silicone sealant. Do not use epoxy type adhesives. Clean with damp cloth. Do not use abrasive cleaners, liquids or pastes.