

# REMER

## PIAZZA 450

### LED SHAVING CABINET

#### SPECIFICATIONS

WIDTH	450mm
HEIGHT	900mm
DEPTH	148mm
WEIGHT	18.25kg
ORIENTATION	Portrait

#### LIGHTING SPECIFICATIONS

CCT	6500K – daylight
CRI	>80

#### INSTALLATION

Wall mount  
 Hardwired  
 Input voltage: 220-240v 50Hz  
 Includes wall mount split batten  
 Mounting holes are provided for semi-recessed mounting

#### FEATURES

Copper Free Mirror  
 LED Lighting (6500K)  
 Touch Sensor  
 Demister  
 Soft Close  
 Concealed Wire Technology  
 Two Adjustable Glass Shelves  
 Single-Sided Mirror Door (door opens right to left)  
 Recessable up to Door



**5 YEAR**  
 REPLACEMENT  
 WARRANTY

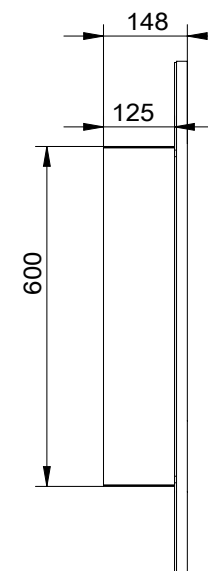
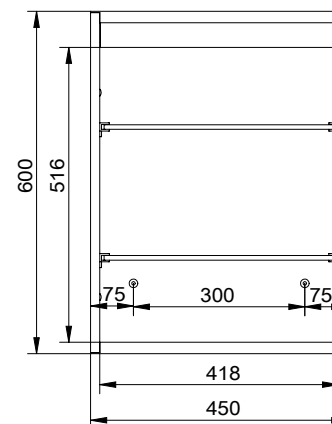
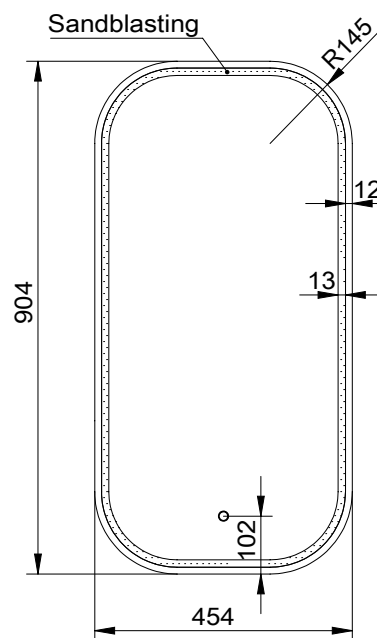
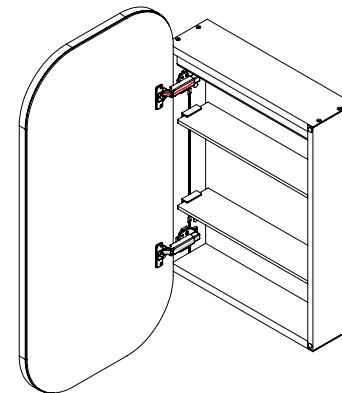
Disclaimer: All LED Products requiring hardwiring must be installed by a licensed electrician in accordance with local regulations. Sizes are in mm and nominal and should be checked prior to installation. Actual colours may vary so please check colour samples before ordering. Installation is acceptance of our products. Installation of faulty, warped, chipped or damaged products will void our warranty.

#### FINISH

White

#### PRODUCT CODE

PR45D



13-15 Edison Road, Dandenong South VIC 3175  
 T (03) 9706 6663 E sales@remer.com.au W remer.com.au

# REMER

# PIAZZA 450

## LED SHAVING CABINET WITH ALUMINIUM FRAME

### SPECIFICATIONS

WIDTH	454mm
HEIGHT	904mm
DEPTH	148mm
WEIGHT	18.25kg
ORIENTATION	Portrait

### LIGHTING SPECIFICATIONS

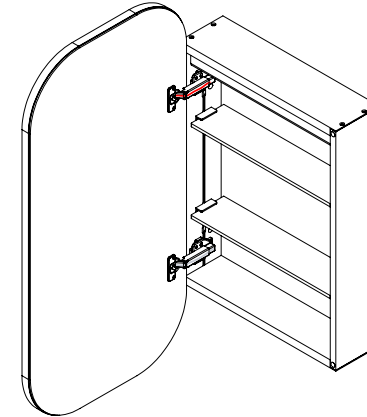
CCT	6500K – daylight
CRI	>80

### INSTALLATION

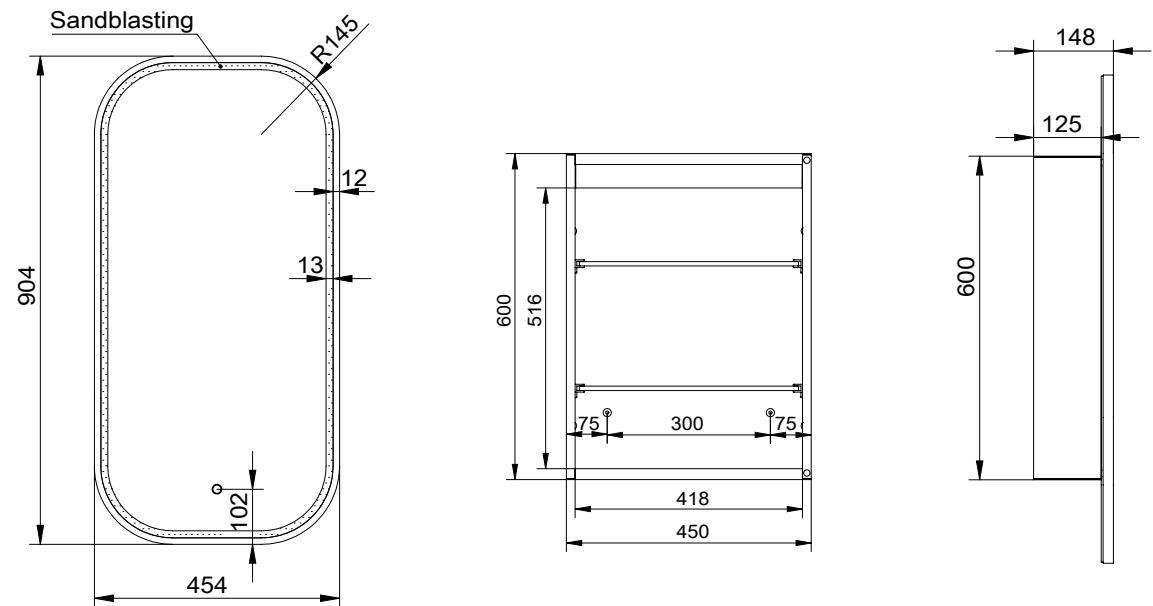
- Wall mount
- Hardwired
- Input voltage: 220-240v 50Hz
- Includes wall mount split batten
- Mounting holes are provided for semi-recessed mounting

### FEATURES

- Copper Free Mirror
- LED Lighting (6500K)
- Touch Sensor
- Demister
- Soft Close
- Concealed Wire Technology
- Two Adjustable Glass Shelves
- Single-Sided Mirror Door (door opens right to left)
- Recessable up to Door



FINISH		PRODUCT CODE
Baltic Brass		PR45D-BB
Brits Nickel		PR45D-BN
Cuban Bronze		PR45D-CB
Georgian Metal		PR45D-GM
Manhattan Black		PR45D-MB
Milano White		PR45D-MW
Nordic Gold		PR45D-NG



Disclaimer: All LED Products requiring hardwiring must be installed by a licensed electrician in accordance with local regulations. Sizes are in mm and nominal and should be checked prior to installation. Actual colours may vary so please check colour samples before ordering. Installation is acceptance of our products. Installation of faulty, warped, chipped or damaged products will void our warranty.