

# REMER

## CAPSULE 450

### LED SHAVING CABINET

#### SPECIFICATIONS

WIDTH	450mm
HEIGHT	900mm
DEPTH	143mm
WEIGHT	20kg
ORIENTATION	Portrait

#### LIGHTING SPECIFICATIONS

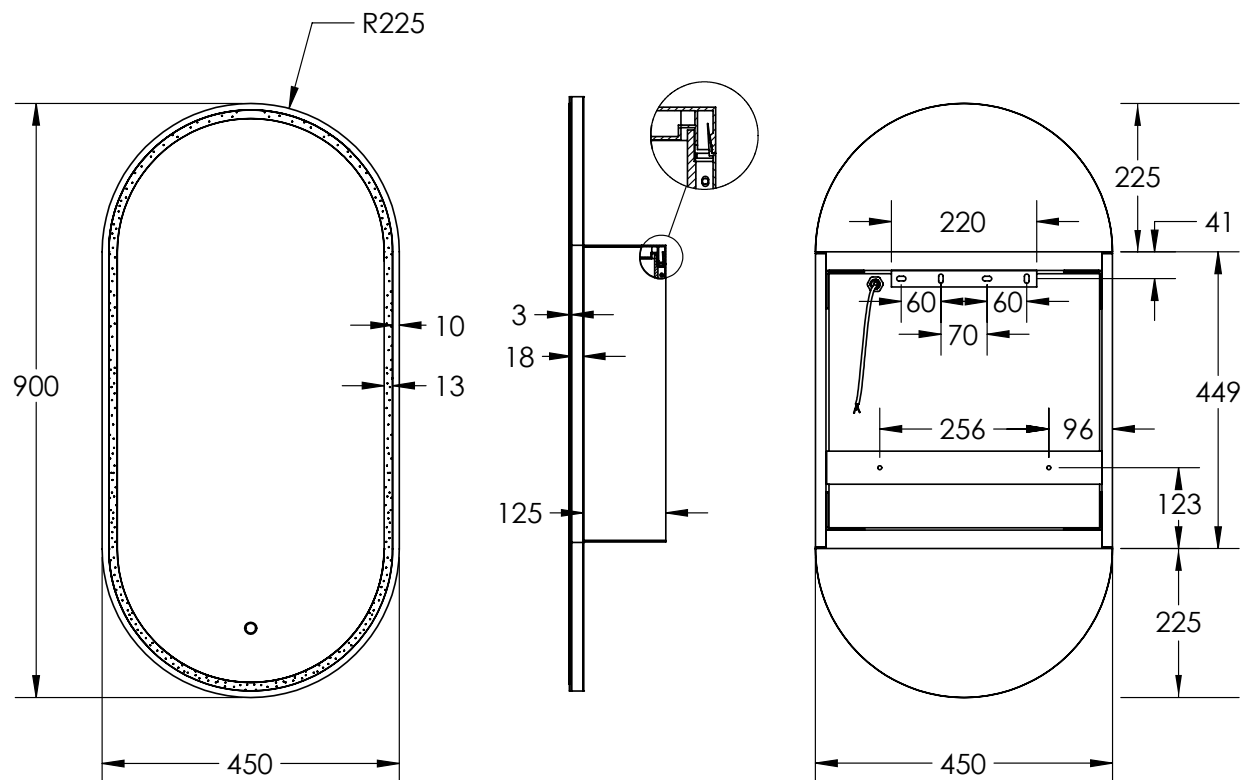
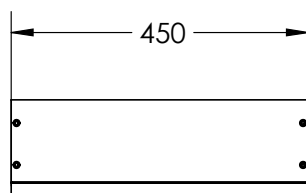
CCT	6500K – daylight
CRI	>80

#### INSTALLATION

Wall mount
Hardwired
Input voltage: 220-240v 50Hz
Includes wall mount split batten
Mounting holes are provided for semi-recessed mounting

#### FEATURES

Copper Free Mirror
LED Lighting (6500K)
Touch Sensor
Demister
Soft Close
Concealed Wire Technology
Adjustable Glass Shelf
Single-Sided Mirror Door (door opens right to left)
Recessable up to Door



#### FINISH

White

#### PRODUCT CODE

CR45D



Disclaimer: All LED Products requiring hardwiring must be installed by a licensed electrician in accordance with local regulations. Sizes are in mm and nominal and should be checked prior to installation. Actual colours may vary so please check colour samples before ordering. Installation is acceptance of our products. Installation of faulty, warped, chipped or damaged products will void our warranty.

13-15 Edison Road, Dandenong South VIC 3175  
T (03) 9706 6663 E sales@remer.com.au W remer.com.au

# REMER

# REMER

## CAPSULE 450

### LED SHAVING CABINET WITH ALUMINIUM FRAME

#### SPECIFICATIONS

WIDTH	504mm
HEIGHT	904mm
DEPTH	150mm
WEIGHT	25kg
ORIENTATION	Portrait

#### LIGHTING SPECIFICATIONS

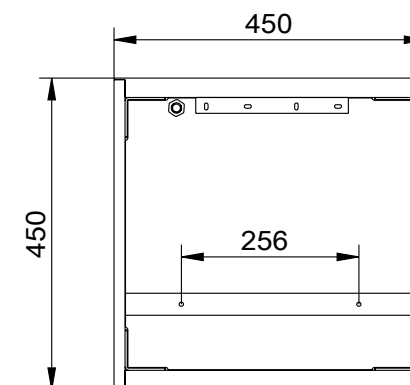
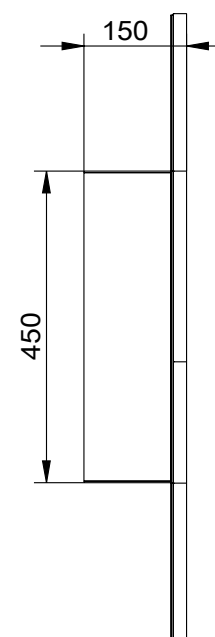
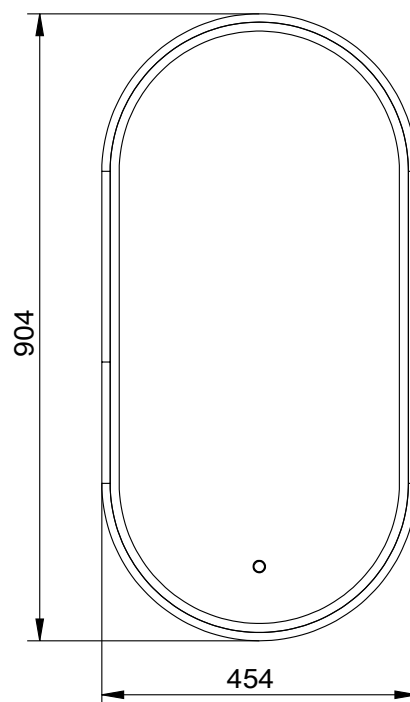
CCT	6500K – daylight
CRI	>80

#### INSTALLATION

Wall mount
Hardwired
Input voltage: 220-240v 50Hz
Includes wall mount split batten
Mounting holes are provided for semi-recessed mounting

#### FEATURES

Copper Free Mirror
LED Lighting (6500K)
Touch Sensor
Demister
Soft Close
Concealed Wire Technology
Two Adjustable Glass Shelves
Single-Sided Mirror Door (door opens right to left)
Recessable up to Door



FINISH	PRODUCT CODE
Baltic Brass	CR45D-BB
Brits Nickel	CR45D-BN
Cuban Bronze	CR45D-CB
Georgian Metal	CR45D-GM
Manhattan Black	CR45D-MB
Milano White	CR45D-MW
Nordic Gold	CR45D-NG



Disclaimer: All LED Products requiring hardwiring must be installed by a licensed electrician in accordance with local regulations. Sizes are in mm and nominal and should be checked prior to installation. Actual colours may vary so please check colour samples before ordering. Installation is acceptance of our products. Installation of faulty, warped, chipped or damaged products will void our warranty.

13-15 Edison Road, Dandenong South VIC 3175  
T (03) 9706 6663 E sales@remer.com.au W remer.com.au

# REMER