

Please check actual product in box for bracket type used

MODERN OBLONG 460X910

NON-LED MIRROR

SPECIFICATIONS

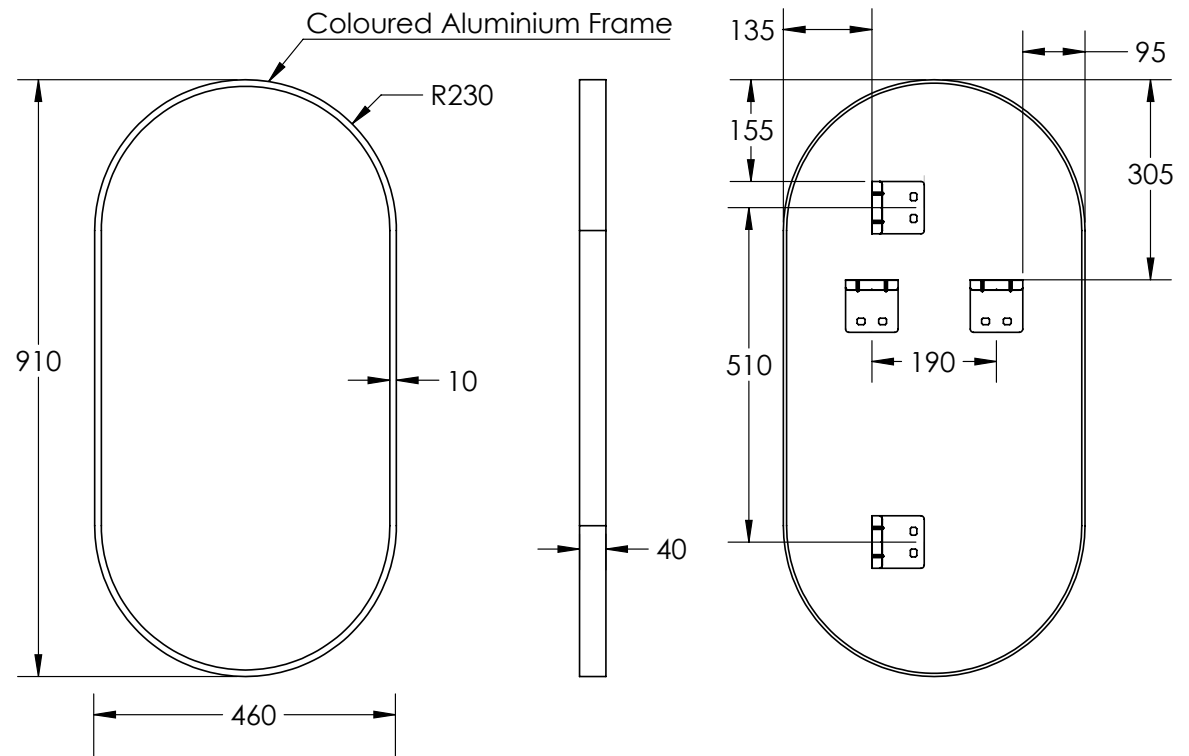
WIDTH	460mm
HEIGHT	910mm
DEPTH	40mm
WEIGHT	5kg
ORIENTATION	Landscape/Portrait

FEATURES

- Copper Free Mirror
- Coloured Aluminium Frame

FINISH	PRODUCT CODE
Baltic Brass	MO4691-BB
Brits Nickel	MO4691-BN
Cuban Bronze	MO4691-CB
Georgian Metal	MO4691-GM

FINISH	PRODUCT CODE
Manhattan Black	MO4691-MB
Milano White	MO4691-MW
Nordic Gold	MO4691-NG



Disclaimer: All LED Products requiring hardwiring must be installed by a licensed electrician in accordance with local regulations. Sizes are in mm and nominal and should be checked prior to installation. Actual colours may vary so please check colour samples before ordering. Installation is acceptance of our products. Installation of faulty, warped, chipped or damaged products will void our warranty.

Please check actual product in box for bracket type used

MODERN OBLONG 460X910

NON-LED MIRROR

SPECIFICATIONS

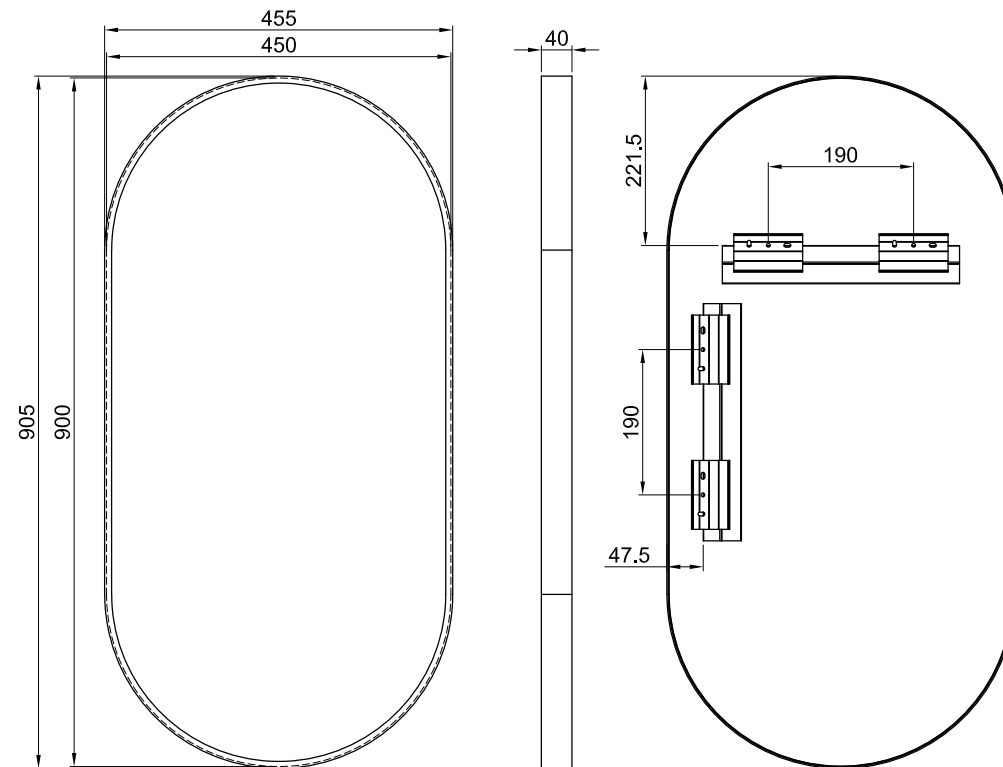
WIDTH	455mm
HEIGHT	905mm
DEPTH	40mm
WEIGHT	5kg
ORIENTATION	Landscape/Portrait

FEATURES

- Copper Free Mirror
- Coloured Aluminium Frame

FINISH	PRODUCT CODE
Baltic Brass	MO4691-BB
Brits Nickel	MO4691-BN
Cuban Bronze	MO4691-CB
Georgian Metal	MO4691-GM

FINISH	PRODUCT CODE
Manhattan Black	MO4691-MB
Milano White	MO4691-MW
Nordic Gold	MO4691-NG



5 YEAR
REPLACEMENT
WARRANTY

Disclaimer: All LED Products requiring hardwiring must be installed by a licensed electrician in accordance with local regulations. Sizes are in mm and nominal and should be checked prior to installation. Actual colours may vary so please check colour samples before ordering. Installation is acceptance of our products. Installation of faulty, warped, chipped or damaged products will void our warranty.

13-15 Edison Road, Dandenong South VIC 3175
T (03) 9706 6663 E sales@remer.com.au W remer.com.au