

## Model RBA5600-001-200-series



### Materials & Features

Designed to securely support bariatric users, RBA Group's 4.5/3L Bariatric Toilet has the appearance of vitreous china but is manufactured from stainless steel for safety and durability. The larger surface area provides better patient comfort and facilitates easier transfers for caregivers. To ensure superior support, the included Big John Bariatric Toilet Seat has a maximum load capacity [MLC] of 540kg and features heavy-duty stainless steel hinges and large, non-slip bumpers to prevent wobbling and increase stability.

### Technical Detail

Outlet Connection:	S-Trap, 100mm OD
Key Seal:	Standard [by others]
MLC (Seat):	540kg
Housing:	1.5-2mm 304 Stainless Steel
Bowl & Trap	1.2mm 304 Stainless Steel
Finish:	White Polyurethane Exterior & Satin Finish Interior OR Satin Finish Exterior & Interior

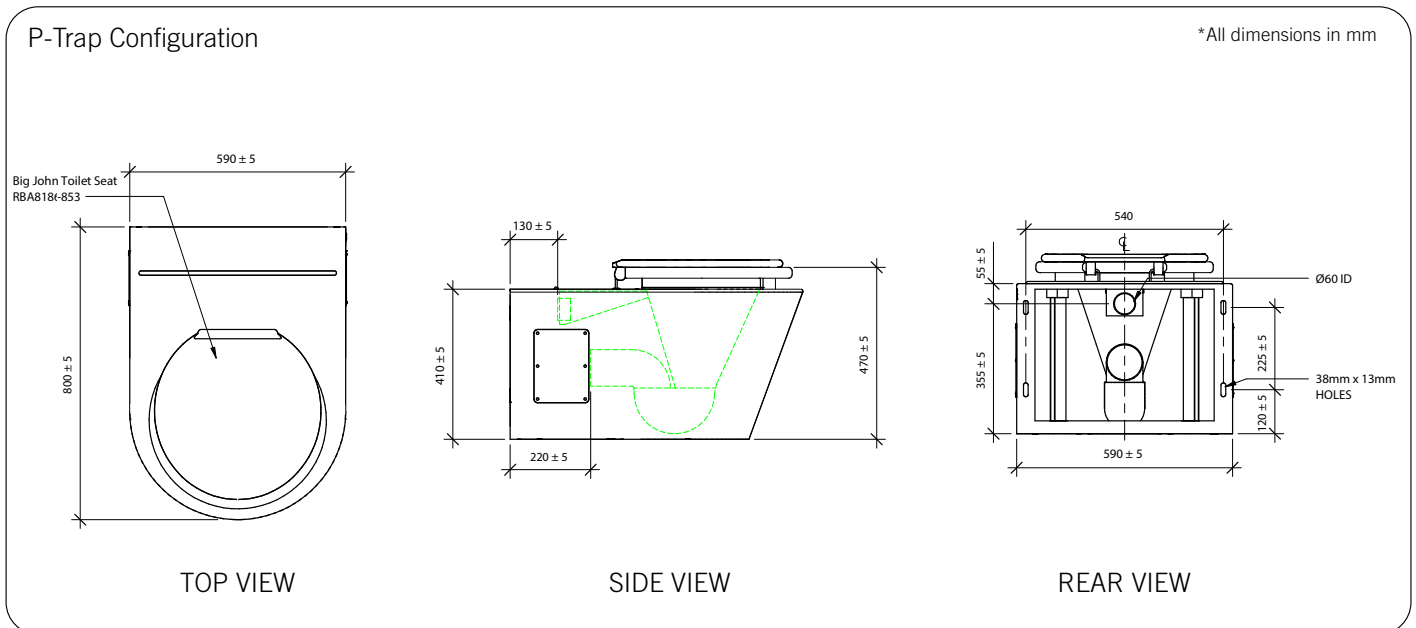
### Available Models

<b>RBA5600-001-202W</b>	4.5/3L Bariatric Toilet with Big John Bariatric Toilet Seat   P-Trap   Poly White Ext., Satin Int.
<b>RBA5600-001-203W</b>	4.5/3L Bariatric Toilet with Big John Bariatric Toilet Seat   S-Trap   Poly White Ext., Satin Int.
<b>RBA5600-001-200W</b>	4.5/3L Bariatric Toilet   P-Trap   Poly White Ext., Satin Int.
<b>RBA5600-001-201W</b>	4.5/3L Bariatric Toilet   S-Trap   Poly White Ext., Satin Int.
<b>RBA5600-001-202</b>	4.5/3L Bariatric Toilet with Big John Bariatric Toilet Seat   P-Trap   Satin Finish
<b>RBA5600-001-203</b>	4.5/3L Bariatric Toilet with Big John Bariatric Toilet Seat   S-Trap   Satin Finish
<b>RBA5600-001-200</b>	4.5/3L Bariatric Toilet   P-Trap   Satin Finish
<b>RBA5600-001-201</b>	4.5/3L Bariatric Toilet   S-Trap   Satin Finish

For best results, unit should be inspected and cleaned regularly as per the instructions in the RBA Product Warranty, Cleaning Care Guide, available on our websites.

**Note:** For Australia, Installation shall be in accordance with the PCA [Plumbing Code of Australia] and any relevant local authority requirements.

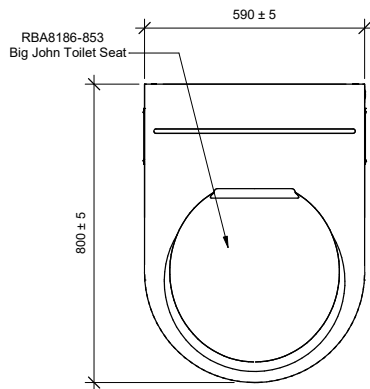
**Important:** Installation instructions and current rough-in details should be furnished with each fixture. **Do not rough in without certifying product dimensions.** Dimensions are subject to manufacturer's tolerance of +/-10mm.



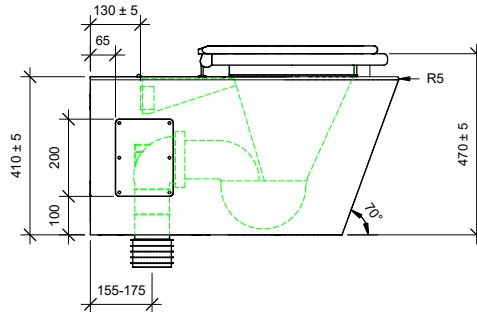
As improvements in the design and performance of RBA products are continuous, specifications may be subject to change without notice. The illustrations and descriptions herein are applicable to production as of the date of this Technical Data Sheet. Revised 01/24 © 2024 by RBA Group TD/Model RBA5600-001-200-series/0124

### S-Trap Configuration

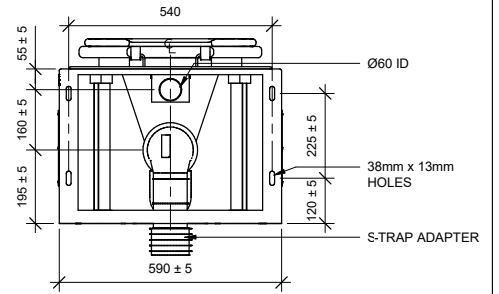
\*All dimensions in mm



TOP VIEW



SIDE VIEW



REAR VIEW