

Model RBA4806-711



Materials & Features

Modular PVD-coated shower T-rail to meet the requirements of AS1428.1 when installed correctly. Rails are ambidextrous, allowing the vertical rail to be positioned left, right or centre to suit site requirements. PVD coating is a premium coating process in which a solid material is vaporised and slowly layered onto a fixture. This results in a durable, versatile finish that's more environmentally friendly than traditional coating methods. Find out more at rba.com.au/pvd.

Technical Detail

Rail: 32mm [Dia], 304 Stainless Steel
 Finish: PVD Gunmetal
 Fixings: Supplied by others

Available Model

RBA4806-711 Modular Shower T-Rail | Modular | PVD Gunmetal

Related Products

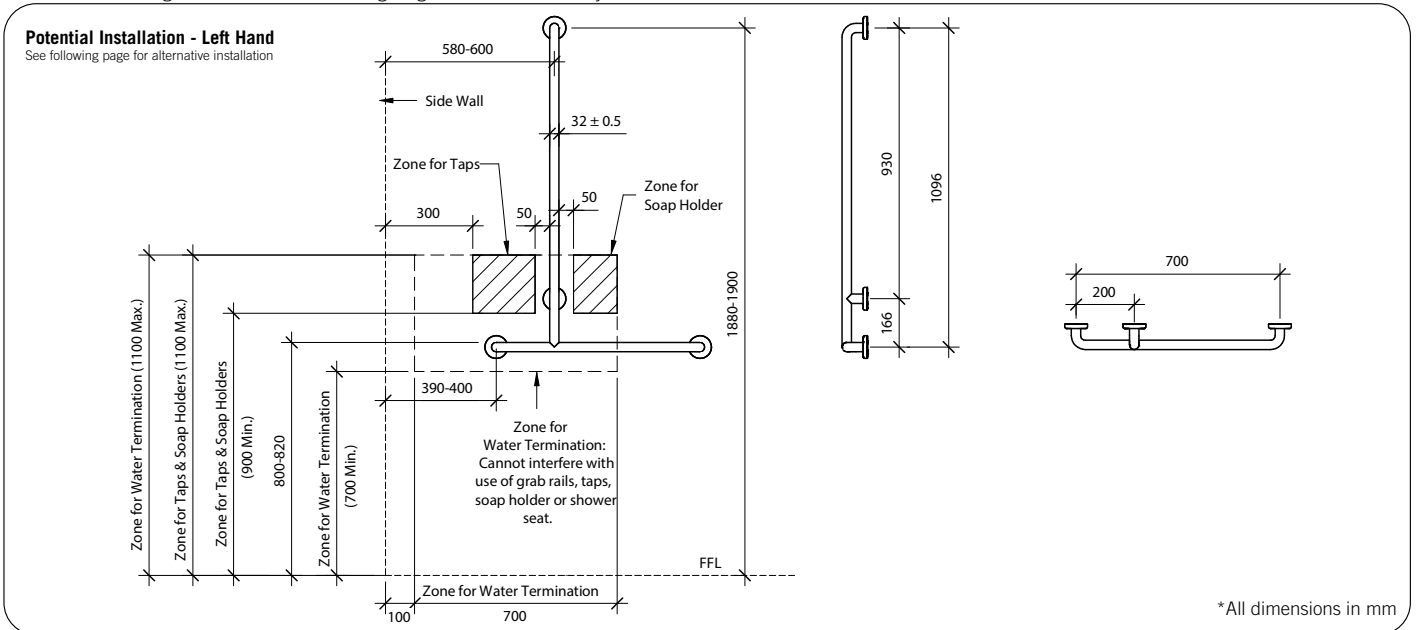
RBA4806-800 5 Star Handset, Hose & Slider Kit | Gunmetal
B819687 Bobrick Accessible Compliant Folding Shower Seat
RBA4171-101 Shower Curtain Rail + 2 Curtains & Hook

Installation

Warning: Grab rails are no stronger than the anchors or walls to which they are attached and must be firmly secured in order to support the loads for which they are intended. Refer to local codes and Installation Instructions for location of fixing points, method of attachment, etc.

For best results, unit should be inspected and cleaned regularly as per the instructions in the RBA Product Warranty, Cleaning Care Guide, available on our websites.

Important: Installation instructions and current rough-in details should be furnished with each fixture. Do not rough in without certified dimensions. Dimensions are subject to manufacturer's tolerance of +/-10mm. Due to the semi-reflective nature of PVD, colours may appear differently depending on surface shape and lighting conditions. RBA recommends viewing fixtures under the same lighting conditions where they are to be installed.



Model RBA4806-711

