

Model RBA1631-612

Materials & Features

Manufactured from heavy duty brass with all exposed surfaces in PVD Gunmetal. oken is a suite of attractive commercial grade accessories with radiused corners and edges to increase comfort and minimise catch. PVD coating is a premium coating process in which a solid material is vaporised and slowly layered onto a fixture. This results in a durable, versatile finish that's more environmentally friendly than traditional coating methods. Find out more at rba.com.au/pvd.



Technical Detail

Material:	Heavy Duty Brass
Finish:	PVD Gunmetal
Bracket:	12mm Heavy Duty Brass Lug
Fixings:	Included

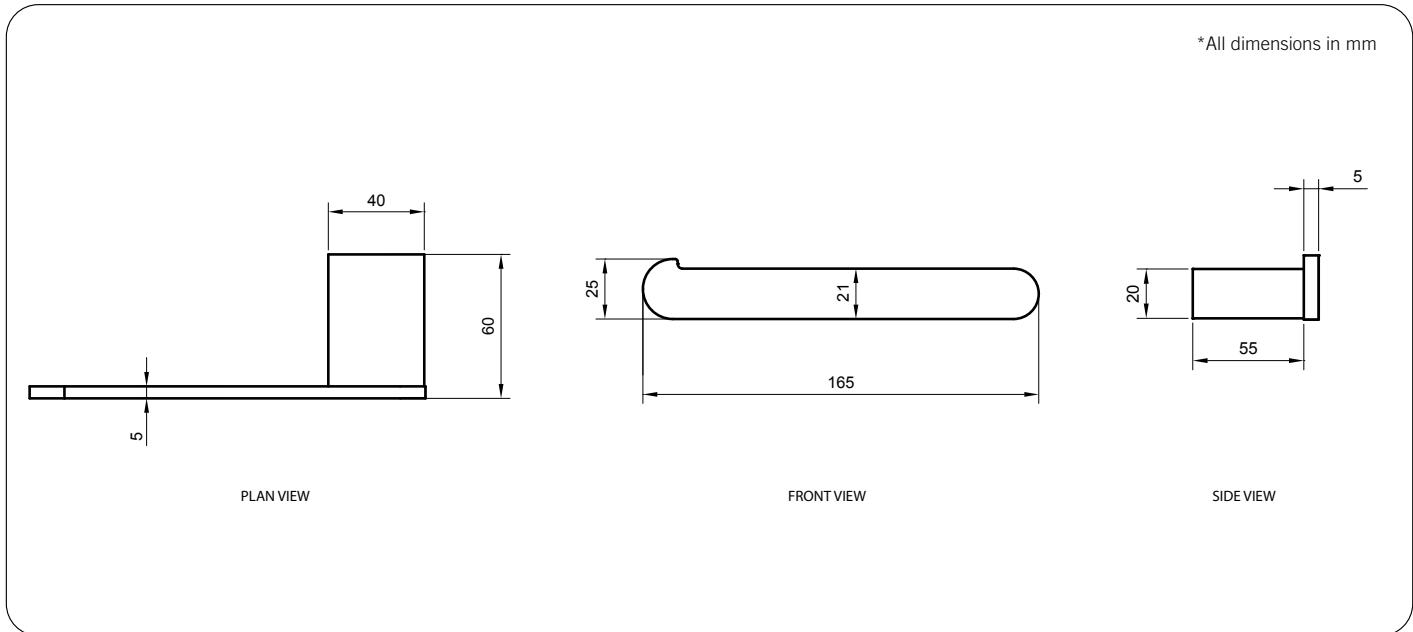
Available Model

RBA1631-612 oken Single Toilet Roll Holder | PVD Gunmetal

Related Products

- RBA1631-600** oken Robe Hook | PVD Gunmetal
- RBA1631-606** enda Accessible Shelf | PVD Gunmetal
- RBA1631-622** oken Double Toilet Roll Holder | PVD Gunmetal

Important: Installation instructions and current rough-in details should be furnished with each fixture. Do not rough in without certified dimensions. Dimensions are subject to manufacturer's tolerance of +/-10mm. Due to the semi-reflective nature of PVD, colours may appear differently depending on surface shape and lighting conditions. RBA recommends viewing fixtures under the same lighting conditions where they are to be installed.



As improvements in the design and performance of RBA products are continuous, specifications may be subject to change without notice. The illustrations and descriptions herein are applicable to production as of the date of this Technical Data Sheet. Revised 02/24 © 2024 by RBA Group TD/Model RBA1631-612/0224