

Model RBA1631-500

Materials & Features

Manufactured from heavy duty brass with all exposed surfaces in PVD Brushed Brass. oken is a suite of attractive commercial grade accessories with radiused corners and edges to increase comfort and minimise catch. PVD coating is a premium coating process in which a solid material is vaporised and slowly layered onto a fixture. This results in a durable, versatile finish that's more environmentally friendly than traditional coating methods. Find out more at rba.com.au/pvd.



Technical Detail

Material: Heavy Duty Brass
 Finish: PVD Brushed Brass
 Bracket: 12mm Heavy Duty Brass Lug
 Fixings: Included

Available Model

RBA1631-500 oken Robe Hook | PVD Brushed Brass

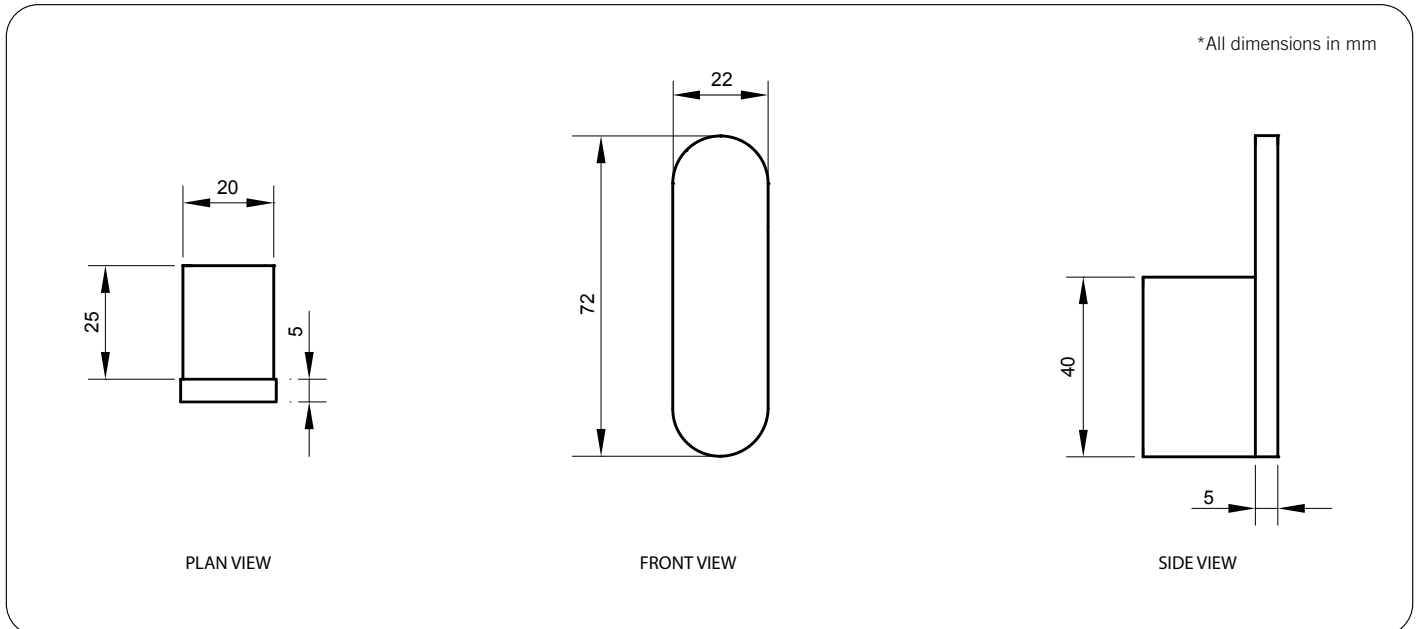
Related Products

RBA1631-506 enda Accessible Shelf | PVD Brushed Brass

RBA1631-512 oken Single Toilet Roll Holder | PVD Brushed Brass

RBA1631-522 oken Double Toilet Roll Holder | PVD Brushed Brass

Important: Installation instructions and current rough-in details should be furnished with each fixture. Do not rough in without certified dimensions. Dimensions are subject to manufacturer's tolerance of +/-10mm. Due to the semi-reflective nature of PVD, colours may appear differently depending on surface shape and lighting conditions. RBA recommends viewing fixtures under the same lighting conditions where they are to be installed.



Global-Mark.com.au®
 Sourced/Supplied under DHS