

## Model RBA1622-122



### Materials & Features

Manufactured from #304 Stainless Steel with all exposed surfaces in satin finish. Designed to meet a range of applications in the health environment, including catheter and IV. The hook has radiused corners and edges to increase safety and minimise catch.

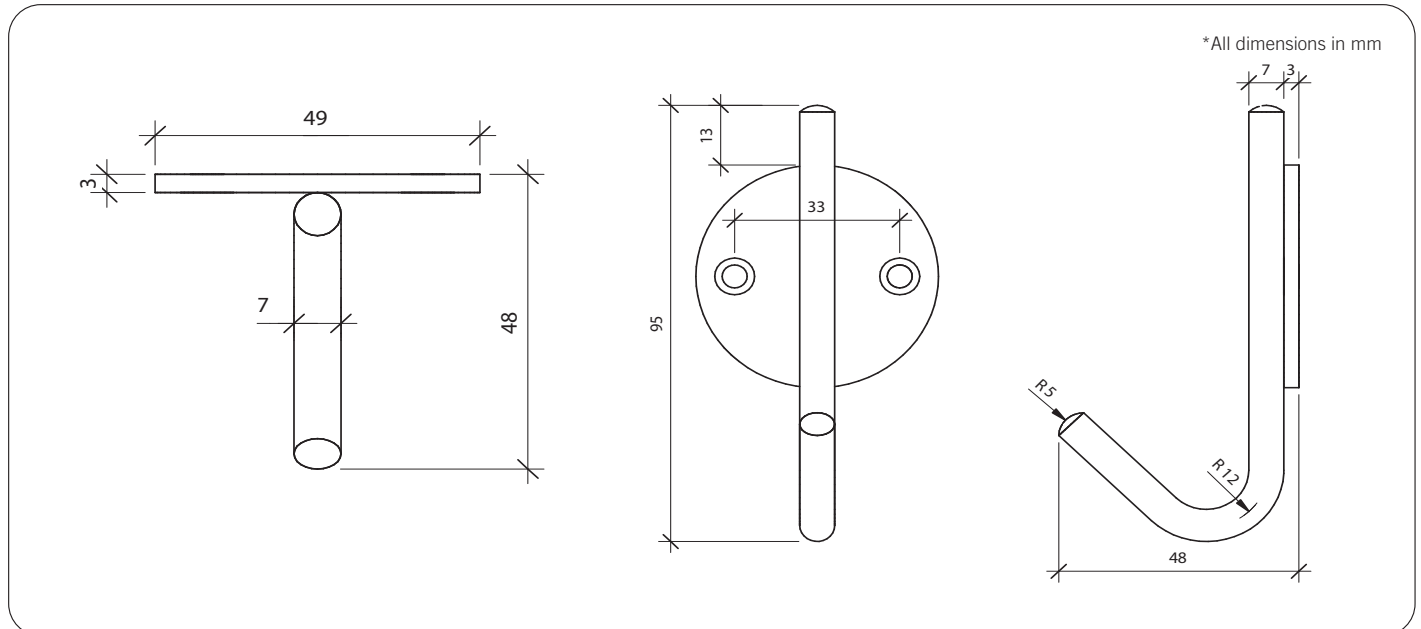
### Technical Detail

Material: #304 Satin Stainless Steel  
 Fixings: Supplied

**Available Model**  
**RBA1622-122**

Health Equipment Hook

**Important:** Installation instructions and current rough-in details should be furnished with each fixture. Do not rough in without certified dimensions. Dimensions are subject to manufacturer's tolerance of +/-10mm.



As improvements in the design and performance of RBA products are continuous, specifications may be subject to change without notice. The illustrations and descriptions herein are applicable to production as of the date of this Technical Data Sheet. Revised 04/21 © 2021 by RBA Group TD/Model RBA1622-122/0421