

## Model RBA1622-105



### Materials & Features

Manufactured from heavy duty brass with all exposed surfaces in bright chrome. enda is a suite of attractive commercial grade accessories with radiused corners and edges to increase comfort and minimise catch.

### Technical Detail

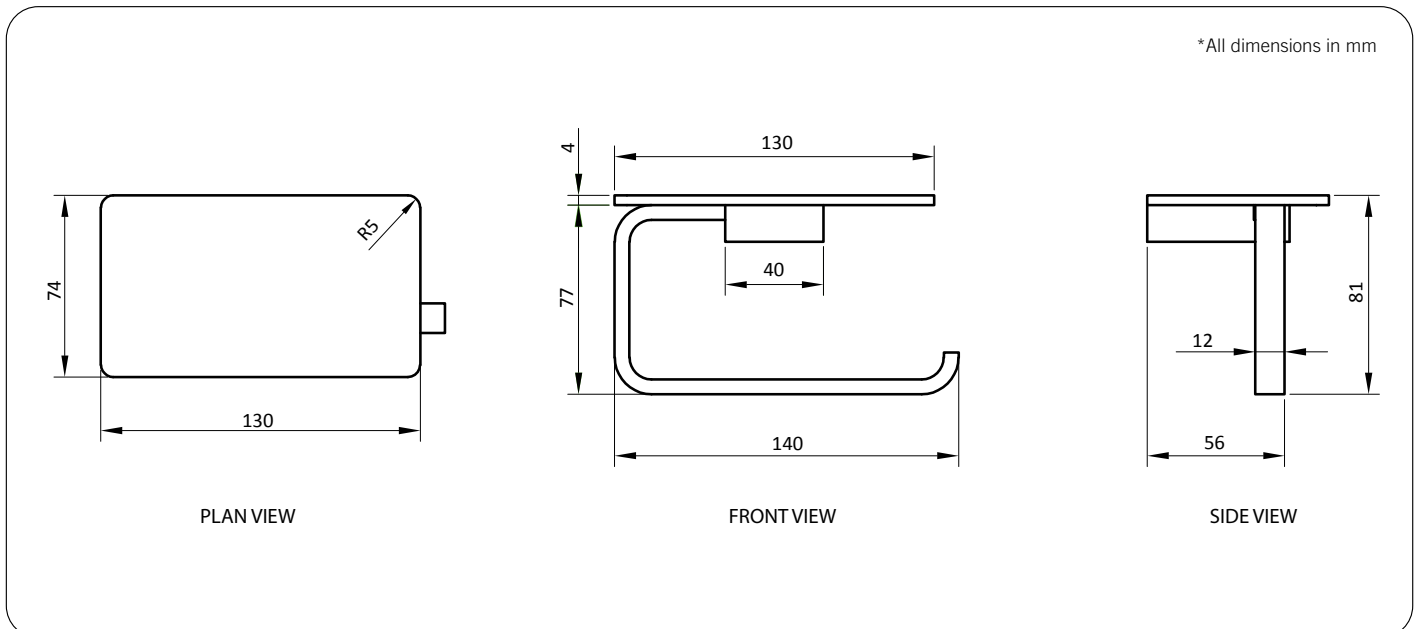
Material: Heavy Duty Brass  
 Finish: Bright Chrome  
 Bracket: Heavy Duty Brass Lug  
 Fixings: Included

### Available Model

RBA1622-105

enda Toilet Roll Holder with Phone Shelf

**Important:** Installation instructions and current rough-in details should be furnished with each fixture. Do not rough in without certified dimensions. Dimensions are subject to manufacturer's tolerance of +/-10mm.





### ända Robe Hook #1

20mm[W] x 65mm[H] x  
21mm[D]

**RBA1622-102**



### ända Robe Hook #3

20mm[W] x 45mm[H] x  
35mm[D]

**RBA1622-104**



### ända Toilet Roll Holder #1

140mm[W] x 30mm[H] x  
85mm[D]

**RBA1622-107**



### ända Toilet Roll Holder #2

130mm[W] x 81mm[H] x  
74mm[D]

**RBA1622-105**



### ända Soap Dish

110mm[W] x 38mm[H] x  
110mm[D]

**RBA1622-101**



### ända Acrylic Shelf to AS1428.1

395mm [W] x 29mm[H] x  
147mm[D]

**RBA1622-106**



### ända Single Towel Rail

600mm[W] x 30mm[H] x  
70mm[D]

**RBA1622-108**



### ända Double Towel Rail

600mm[W] x 30mm[H] x  
105mm[D]

**RBA1622-109**