

Model RBA4118-936



Materials & Features

Set consists of a wall mounted stainless steel rail complete with slider, handset and 1.5m hose, with wall connection [includes backflow prevention]. Grab rail is accessible compliant when installed in accordance with AS1428.1.

Technical Detail

Rail:	#304 Stainless Steel, Bright, 32mm Dia
Hose:	1.5m
Inlet Connection:	DN 15mm [1/2"] BSP Includes backflow prevention
Water Pressure:	150-500 kpa
Water Temperature:	50°C Maximum
Flow Rate:	6.0 LPM
WELS:	5 Star
WELS Reg. Number:	S14913

Available Models

RBA4118-936 5 Star Shower T-Rail Kit | Right Hand | Bright Polished

Related Products

RBA4118-937 5 Star Shower T-Rail Kit | Left Hand | Bright Polished

RBA4118-950 5 Star Shower T-Rail Kit & Mixer | Right Hand | Bright Polished

RBA4118-951 5 Star Shower T-Rail Kit & Mixer | Left Hand | Bright Polished

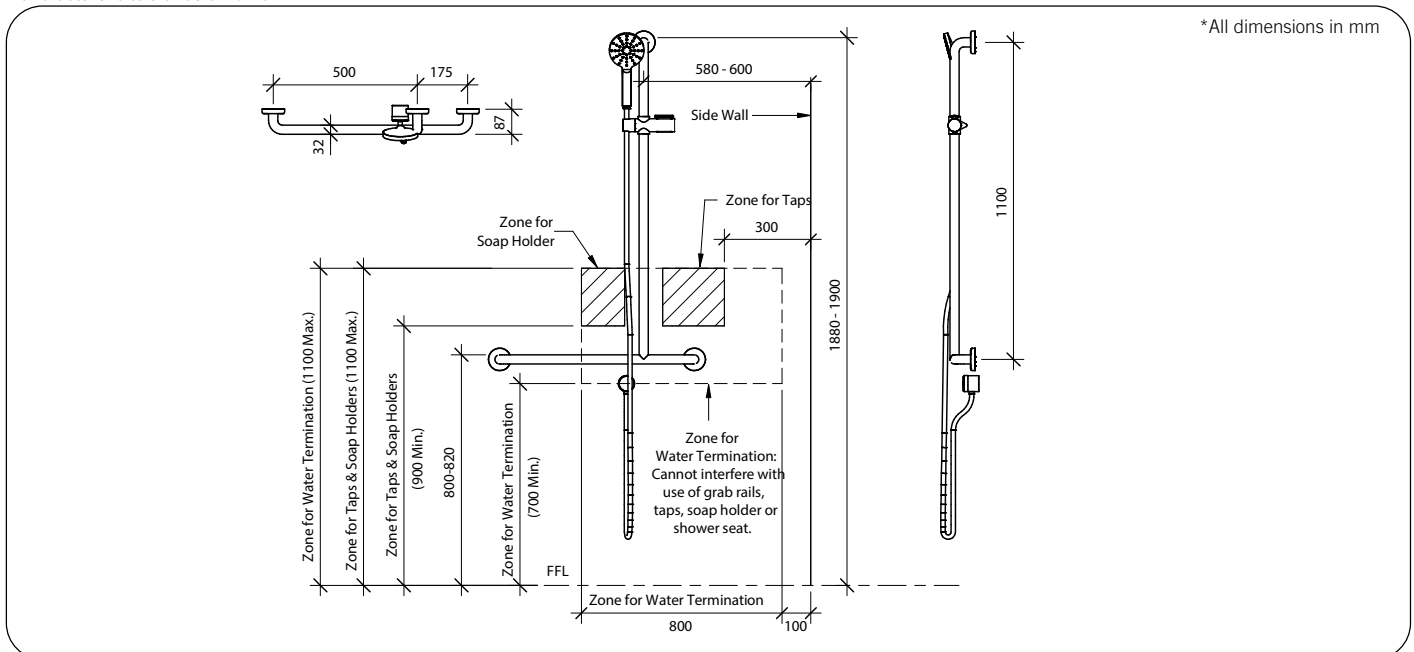
Installation

Warning: Grab rails are no stronger than the anchors or walls to which they are attached and must be firmly secured in order to support the loads for which they are intended.

For best results, unit should be inspected and cleaned regularly as per the instructions in the RBA Product Warranty, Cleaning Care Guide, available on our websites.

Note: For Australia, Installation shall be in accordance with the PCA [Plumbing Code of Australia] and any relevant local authority requirements.

Important: Installation instructions and current rough-in details should be furnished with each fixture. Do not rough in without certified dimensions. Dimensions are subject to manufacturer's tolerance of +/-10mm.



As improvements in the design and performance of RBA products are continuous, specifications may be subject to change without notice. The illustrations and descriptions herein are applicable to production as of the date of this Technical Data Sheet. Revised 10/23 © 2023 by RBA Group TD/Model RBA4110-936/1023