

## Model RBA7742-777-008



### Materials & Features

Matte black double toilet roll holder in Type 304 stainless steel with Type 304 stainless steel concealed fixing plates for additional strength.

### Technical Detail

Flanges & Support Arms:	0.8mm Type 304 Stainless Steel
Concealed Wall Plate:	1.0mm Type 304 Stainless Steel
Finish:	Matte Black
Fixings:	Supplied

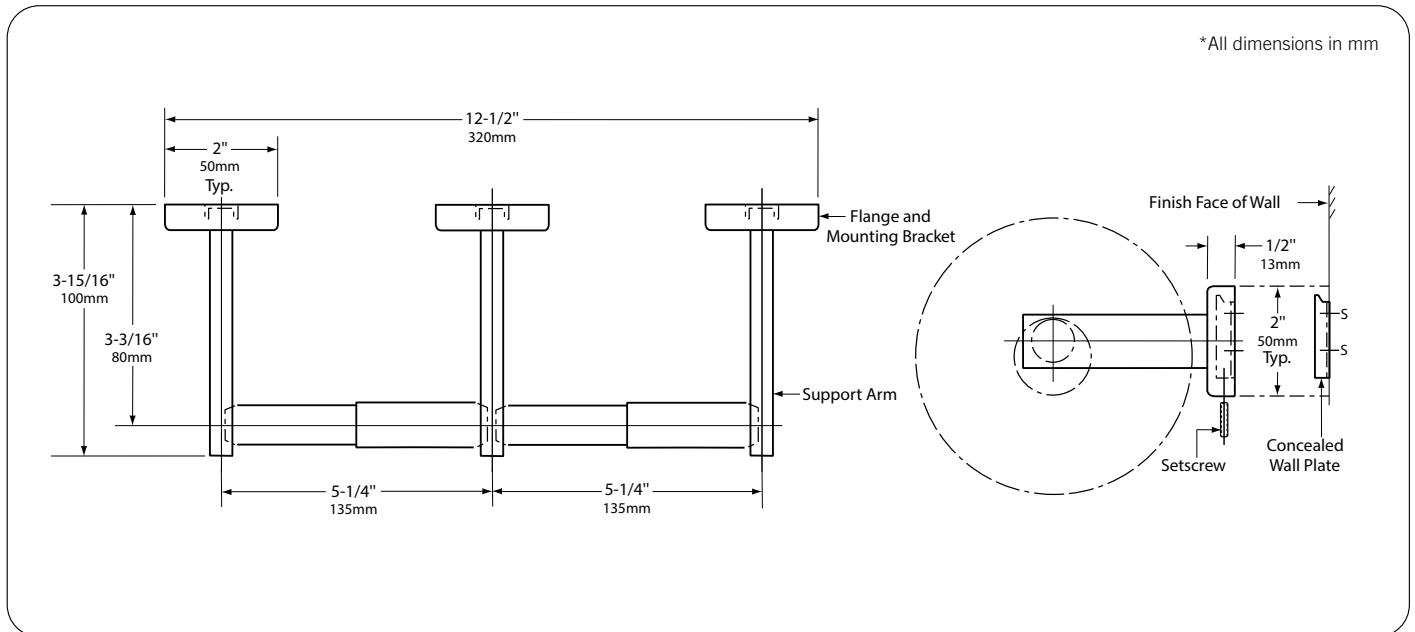
### Available Models

**RBA7742-777-008** Double Toilet Roll Holder, Matte Black

### Related Products

**RBA7742-777-002** Liquid Soap Dispenser, Matte Black  
**RBA7742-777-003** Paper Towel Dispenser, Matte Black  
**RBA7742-777-004** Jumbo Toilet Roll Holder, Matte Black

**Important:** Installation instructions and current rough-in details should be furnished with each fixture. Do not rough in without certified dimensions. Dimensions are subject to manufacturer's tolerance of +/-10mm.



As improvements in the design and performance of RBA products are continuous, specifications may be subject to change without notice. The illustrations and descriptions herein are applicable to production as of the date of this Technical Data Sheet. Revised 09/22 © 2022 by RBA Group TD/Model RBA7742-777-008/0922