

## Models RBA7400-777-003 RBA7400-777-004



### Materials & Features

Stainless Steel Sharps Chute is designed to offer increased level of community protection. Used sharps are placed in the opening and slide down the chute to a receptacle in a secure area behind the wall e.g. service bay.

### Technical Detail

Faceplate:	3.0mm, 304 Stainless Steel
Finish:	Satin Stainless [-003] Safety Yellow [-004]
Disposable Container:	Included

### Available Models

RBA7400-777-003 Sharps Chute | Safety Yellow (Pictured)  
RBA7400-777-004 Sharps Chute | Satin

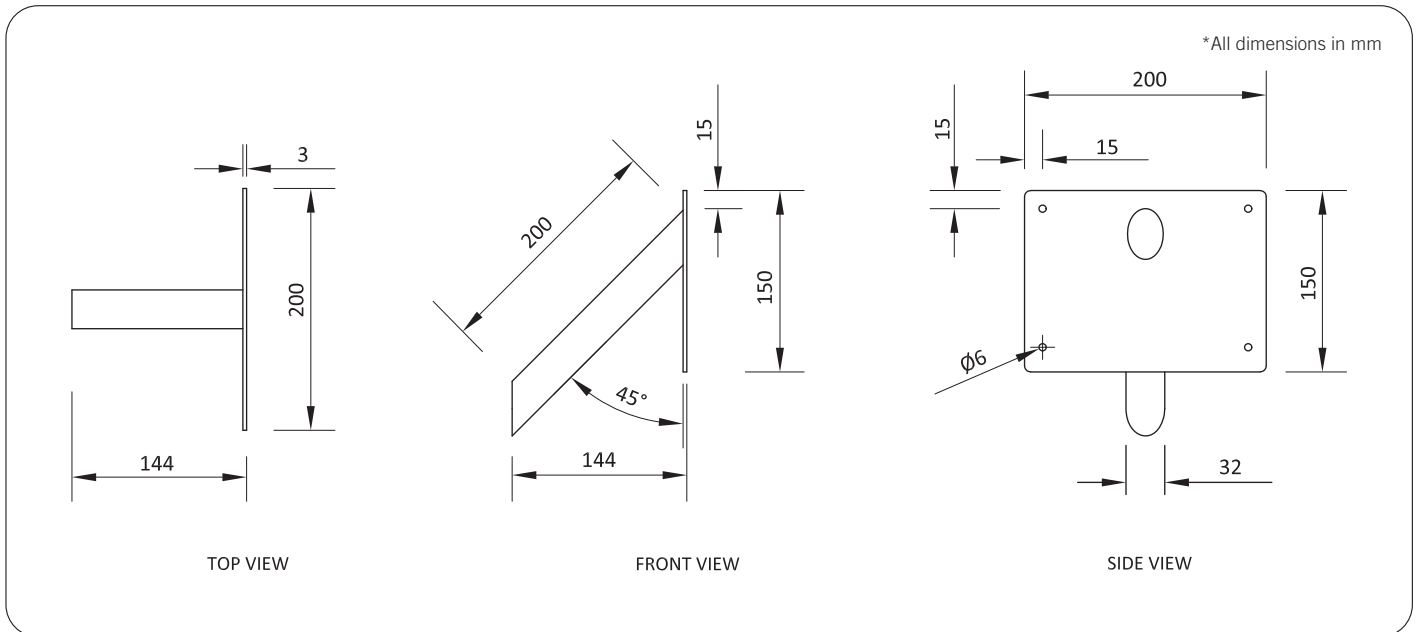
### Related Products

RBA7400-999-001 Replaceable disposable plastic insert  
RBA7400-100 1.6mm Mild Steel Sharps Disposal Box | Safety Yellow  
RBA7400-150 1.6mm Stainless Steel Sharps Disposal Box | Satin

### Installation

Due to the variety of local requirements and installation options, RBA recommends the facility provide their own bracket for the behind the wall receptacle

**Important:** Installation instructions and current rough-in details should be furnished with each fixture. Do not rough in without certified dimensions. Dimensions are subject to manufacturer's tolerance of +/-10mm.



Global-Mark.com.au®  
Sourced/ Supplied under OMS