

Model RBA8872-Series

Materials & Features

Manufactured from stainless steel with all exposed surfaces in satin finish. Accommodates multiple users but is easy to install with only one waste outlet. Can be site drilled to suit either wall or basin mounted tapware.

Technical Detail

Basin and Housing:	1.6mm, type 304 Stainless Steel
Trap:	By others
Outlet Connection:	40mm BSP waste, supplied
Fixings:	By others



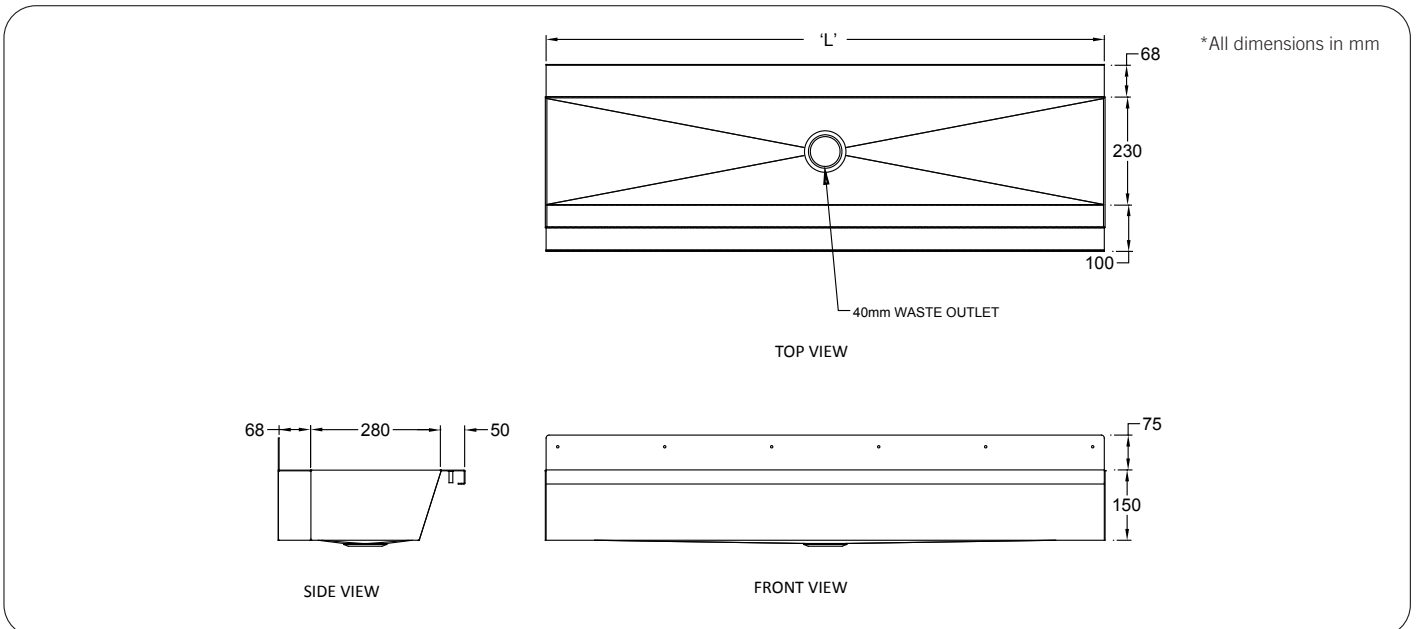
Available Models

RBA8872-120	1200mm Wash Trough
RBA8872-150	1500mm Wash Trough
RBA8872-180	1800mm Wash Trough
RBA8872-240	2400mm Wash Trough

Related Products

RBA1083-607	Stainless Steel Self Closing Tap, 6 Star, Basin Mount
RBA1053-688	Self Closing Tap, 6 Star, Wall Mount

Important: Installation instructions and current rough-in details should be furnished with each fixture. Do not rough in without certified dimensions. Dimensions are subject to manufacturer's tolerance of +/-10mm.



As improvements in the design and performance of RBA products are continuous, specifications may be subject to change without notice. The illustrations and descriptions herein are applicable to production as of the date of this Technical Data Sheet. Revised 06/21 © 2021 by RBA Group TD/Model RBA8872-Series/0621