

## Model RBA8847-157



### Materials & Features

Unit is highly vandal resistant, front fixed and manufactured from stainless steel. External surface is satin finish. Internal bowl is matt finish for hygiene, easy cleaning and scale resistance. The integrated seat is bright polished for hygiene and comfort. Laser-cut, flush-fitting access panels on both sides are fixed with security screws. Suitable for P-Trap installations where waste connection is through the wall. Also available in coloured EnviroGlaze® (e.g. white) finish on external surfaces upon request.

### Technical Detail

Outlet Connection:	100mm OD
Inlet Connection:	½" BSP
Operating Pressure:	50 - 700 kPa
Bowl and Trap:	1.9mm, Stainless Steel
Cistern & Housing:	1.6mm, Stainless Steel
Front Fixings:	By others
Seat:	Included

### Available Models

**RBA8847-157** Ambulant Stainless Steel Toilet Suite - P-Trap

### Related Products

**RBA8847-156** Ambulant Stainless Steel Toilet Suite - S-Trap

**RBA8847-100** Stainless Steel Toilet Suite - P or S-Trap

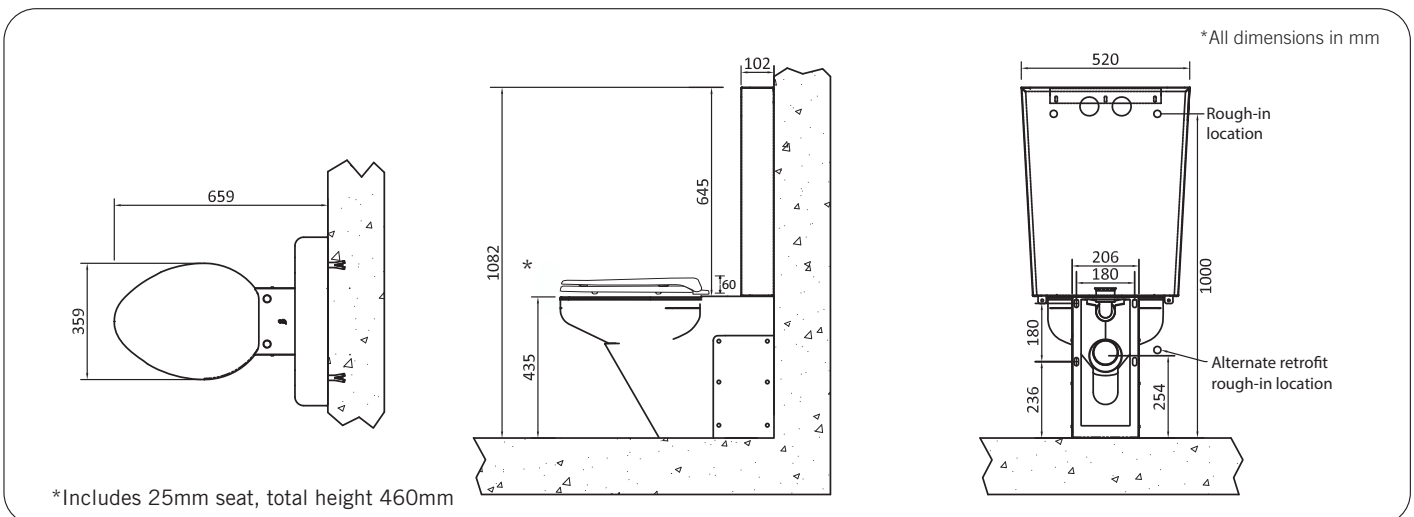
**RBA8847-428** Accessible Stainless Steel Toilet Suite - P or S-Trap

### Installation

Ensure wall construction is capable of supporting the unit. Unit is fixed to floor with concealed S-clip and fixed to wall [fixings by others]. Total height of RBA8847-157[435mm] + RBA8186-100 [25mm] equals 460mm to comply with AS1428.1 Fig.52A.

**Note:** For Australia, installation shall be in accordance with the PCA [Plumbing Code of Australia] and any relevant local authority requirements.

**Important:** Installation instructions and current rough-in details should be furnished with each fixture. Do not rough in without certified dimensions. Dimensions are subject to manufacturer's tolerance of +/-10mm.



As improvements in the design and performance of RBA products are continuous, specifications may be subject to change without notice. The illustrations and descriptions herein are applicable to production as of the date of this Technical Data Sheet. Revised 10/22 © 2022 by RBA Group TD/Model RBA8847-157/1022