

Models RBA8141-Series

Materials & Features

Recessed unit is designed to support the weight of a single toilet paper roll but snap down if excessively loaded. Rear fixed & surface mounted options available on request. Bevelled face plate for ligature resistance. Countersunk drill-holes to accommodate fixings.

Technical Detail

Material: 1.5mm, 304 Stainless Steel
 Max. load: 15 kgs
 Fixings: Tamper Resistant screws (supplied)
 Compliance: AusHFG-2018. Each unit is 100% tested in Australia for compliance



Model shown is RBA8141-100

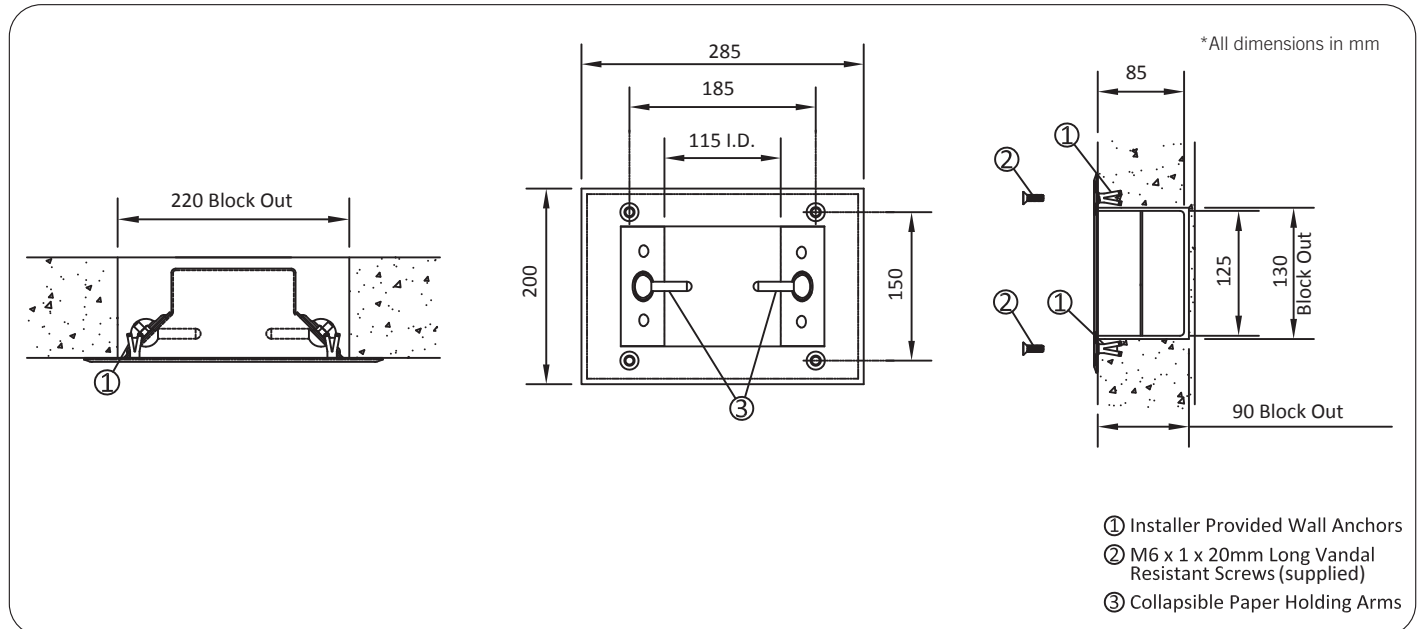
Available Models

- RBA8141-100** Ligature Resistant Toilet Roll Holder, Satin Stainless Steel (interior bead blasted)
- RBA8141-117** Ligature Resistant Toilet Roll Holder, EnviroGlaze® White

Related Products

- RBA8130-102** Ligature Resistant Hook
- RBA8140-100** Ligature Resistant Toilet Roll Holder
- RBA8519-100** Ligature Resistant Shower Set

Important: Installation instructions and current rough-in details should be furnished with each fixture. Do not rough in without certified dimensions. Dimensions are subject to manufacturer's tolerance of +/-10mm.



As improvements in the design and performance of RBA products are continuous, specifications may be subject to change without notice. The illustrations and descriptions herein are applicable to production as of the date of this Technical Data Sheet. Revised 06/21 © 2021 by RBA Group TD/Models RBA8141-Series/0621