

Model RBA8130-101



Materials & Features

Manufactured from stainless steel with all exposed surfaces in satin finish. Designed to support the weight of clothing, towels, etc but snap down if excessively loaded. Countersunk drill-holes to accommodate fixings. For Ligature Resistant Hook, please refer to RBA8130-102.

Technical Detail

Material: 2.0mm, 304 Stainless Steel
 Fixings: Tamper Resistant screws [supplied]

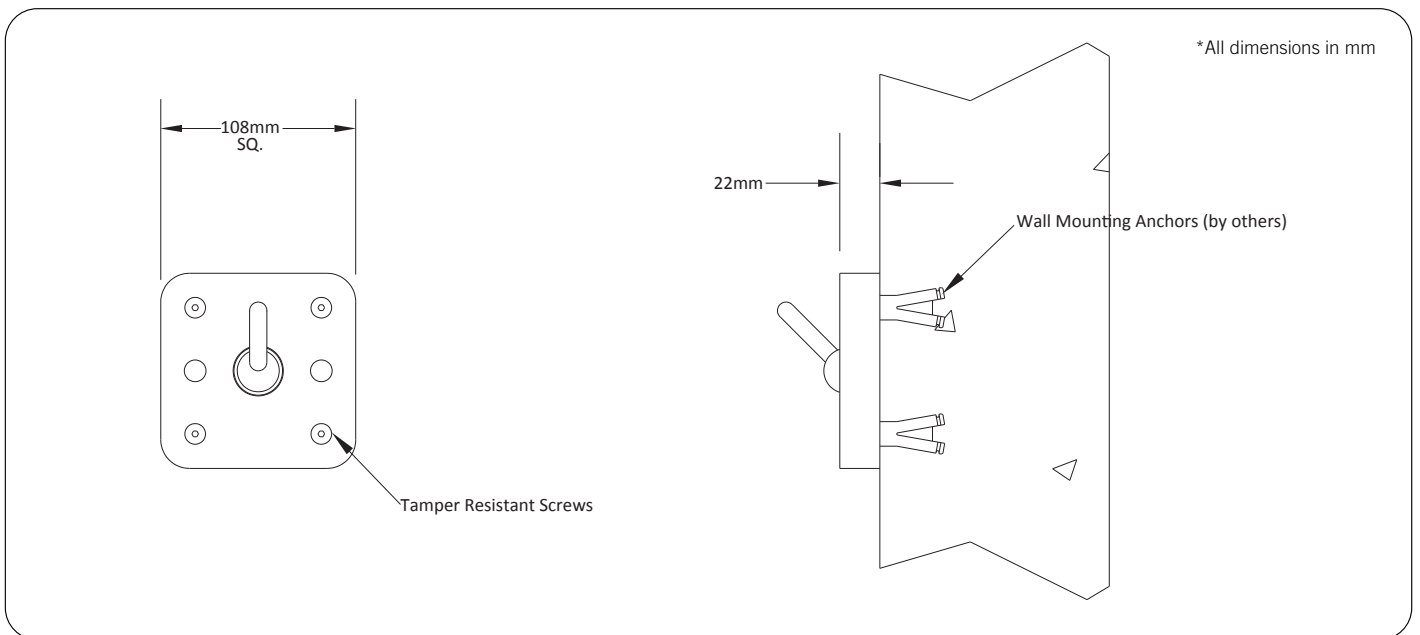
Available Models

RBA8130-101 Auto-Release Hook

Related Products

- RBA8130-102** Ligature Resistant Hook
- RBA8141-100** Ligature Resistant Toilet Roll Holder
- RBA8519-100** Ligature Resistant Shower Set

Important: Installation instructions and current rough-in details should be furnished with each fixture. Do not rough in without certified dimensions. Dimensions are subject to manufacturer's tolerance of +/-10mm.



As improvements in the design and performance of RBA products are continuous, specifications may be subject to change without notice. The illustrations and descriptions herein are applicable to production as of the date of this Technical Data Sheet. Revised 03/22 © 2022 by RBA Group TD/Model RBA8130-101/0322