

Models RBA8120-100 RBA8120-117

Materials & Features

Manufactured from stainless steel with all exposed surfaces in satin finish. Internal surface is matt finish for hygiene and easy cleaning. Rear fixed option available on request. Flush fitting and radiused face plate for ligature and vandal resistance. Rear fixed option available on request.

Technical Detail

Material: 1.2mm, 304 Stainless Steel
 Fixings: By others



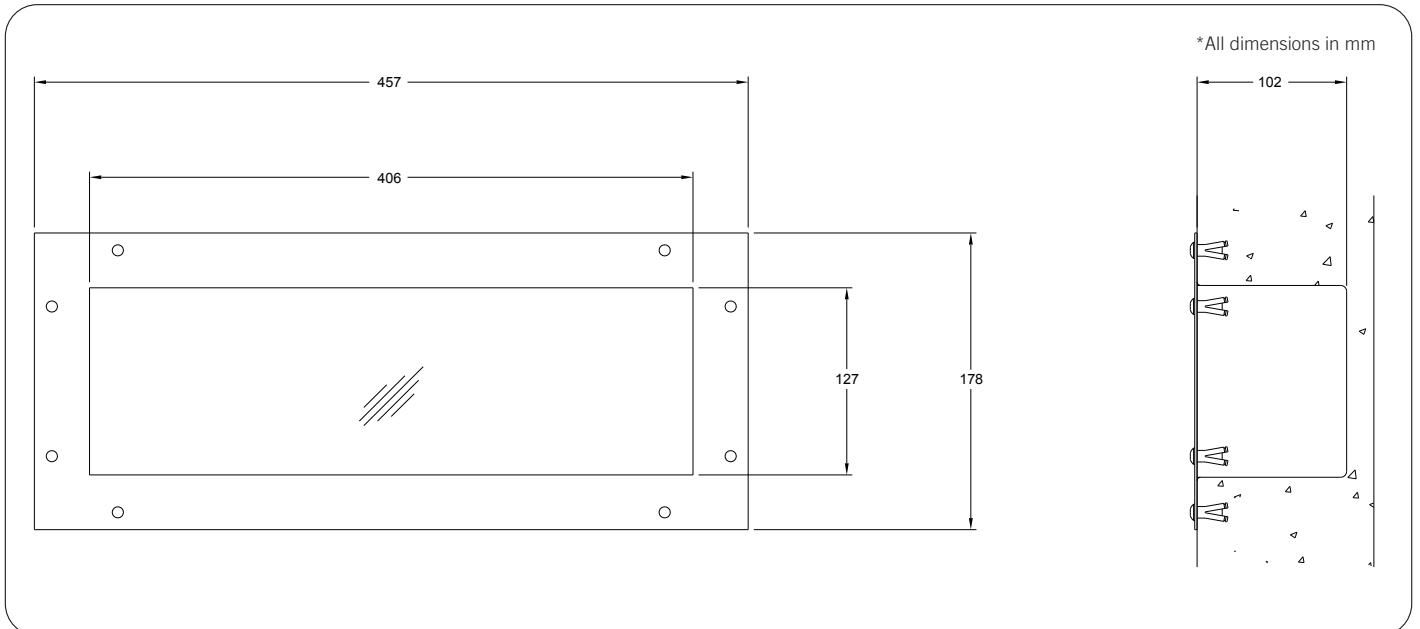
Available Models

- RBA8120-100** Recessed Shelf, Stainless
- RBA8120-117** Recessed Shelf, Enviro-Glaze® White

Related Products

- RBA8132-100** Recessed Soap Dish, Stainless
- RBA8533-100** Recessed Shower Shelf, Stainless

Important: Installation instructions and current rough-in details should be furnished with each fixture. Do not rough in without certified dimensions. Dimensions are subject to manufacturer's tolerance of +/-10mm.



Global-Mark.com.au®
 Sourced/Supplied under DHS

As improvements in the design and performance of RBA products are continuous, specifications may be subject to change without notice. The illustrations and descriptions herein are applicable to production as of the date of this Technical Data Sheet. Revised 06/21 © 2021 by RBA Group TD/Models RBA8120-100, RBA8120-117/0621