

Model RBA1083-Series

Materials & Features

Self-closing tap is designed for public washrooms, offices, schools, shopping centres, stadiums, airports & accessible installations. Cast from heavy duty Stainless Steel, then polished to a Bright or Satin finish. Single connection, tap will deliver cold or pre mixed water, single temperature only. Tap is activated by pushing the button, flow will cease when preset time is achieved. Tap cartridge is self-cleaning.

Technical Detail

Tap Body:	304 Stainless Steel
Inlet Connection:	15mm BSP (1/2")
Flow Time:	4-10 seconds (non-adjustable)
Operating Pressure:	200 – 500 kPa
Supply:	Single temp (Max. 40°C)
Flow Rate:	1.7L / 5L per minute
WELS Rating:	6 Star
WELS Reg.number:	T08712 [-600], T32960 [-607], T18471 [-650], T18470 [-657]
Locknut:	Anti-rotational heavy duty brass
Force to activate:	20N @ 300 kPa



Available Models

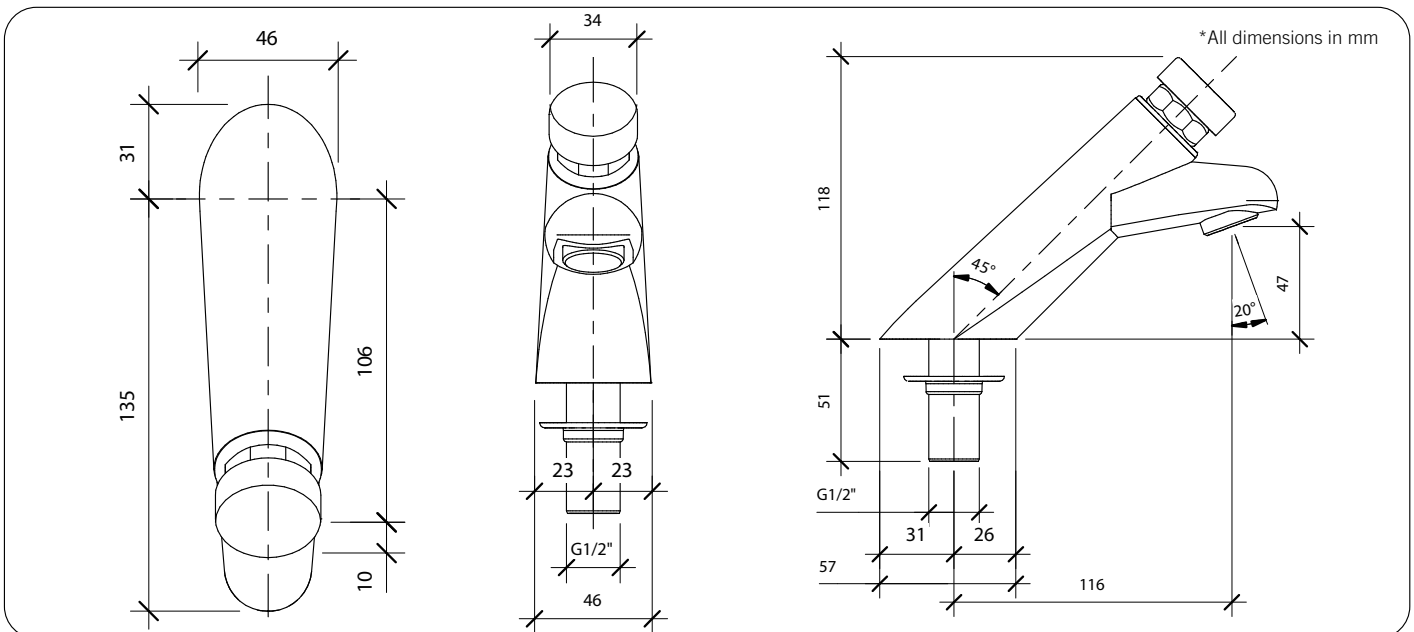
RBA1083-600	6 Star [5.0Lpm] Stainless Steel Self Closing Push Tap - Polished
RBA1083-607	6 Star [5.0Lpm] Stainless Steel Self Closing Push Tap - Satin
RBA1083-650	6 Star [1.7Lpm] Stainless Steel Self Closing Push Tap - Polished
RBA1083-657	6 Star [1.7Lpm] Stainless Steel Self Closing Push Tap - Satin

Related Products

RBA8867-100	'Benefit' Accessible Stainless Steel Basin
RBA8889-182	'Curvilinear' Accessible Stainless Steel Basin

Note: For Australia, Installation shall be in accordance with the PCA [Plumbing Code of Australia] and any relevant local authority requirements.

Important: Installation instructions and current rough-in details should be furnished with each fixture. Do not rough in without certified dimensions. Dimensions are subject to manufacturer's tolerance of +/-10mm.



As improvements in the design and performance of RBA products are continuous, specifications may be subject to change without notice. The illustrations and descriptions herein are applicable to production as of the date of this Technical Data Sheet. Revised 03/22 © 2022 by RBA Group TD/Model RBA1083-Series/0322