

## Model RBA8851-428



### Materials & Features

Unit is highly vandal resistant, may be front or rear fixed and is manufactured from stainless steel. External surface is satin finish. Internal bowl is matt finish for hygiene, easy cleaning and scale resistance. The integrated seat is bright polished for hygiene and comfort. Laser-cut, flush-fitting access panels on both sides are fixed with security screws. Suitable for P- or S-Trap installations. Also available in coloured EnviroGlaze® [e.g. white] finish on external surfaces upon request.

### Technical Detail

Outlet Connection:	P-Trap 100mm OD S-Trap Converter provided
Inlet Connection:	55mm ID
Pan Collar:	Standard [by others]
Bowl and Trap:	1.9mm, Stainless Steel
Housing:	1.5mm, Stainless Steel
Rear Fix Kit:	4 x M12 bolts provided
Front Fixings:	by others
Seat:	Provided
Flush Pipe Configuration:	40mm PVC Flush Pipe + Geberit Kee Seal 119.668.00.1 [by others]

### Available Models

**RBA8851-428**

**RBA8851-428-316**

304 Stainless Steel WC [Standard], Accessible compliant

316 Stainless Steel WC, Accessible compliant

### Related Products

**RBA3001-160**

**RBA4150-229**

**RBA4150-230**

**RBA8867-186**

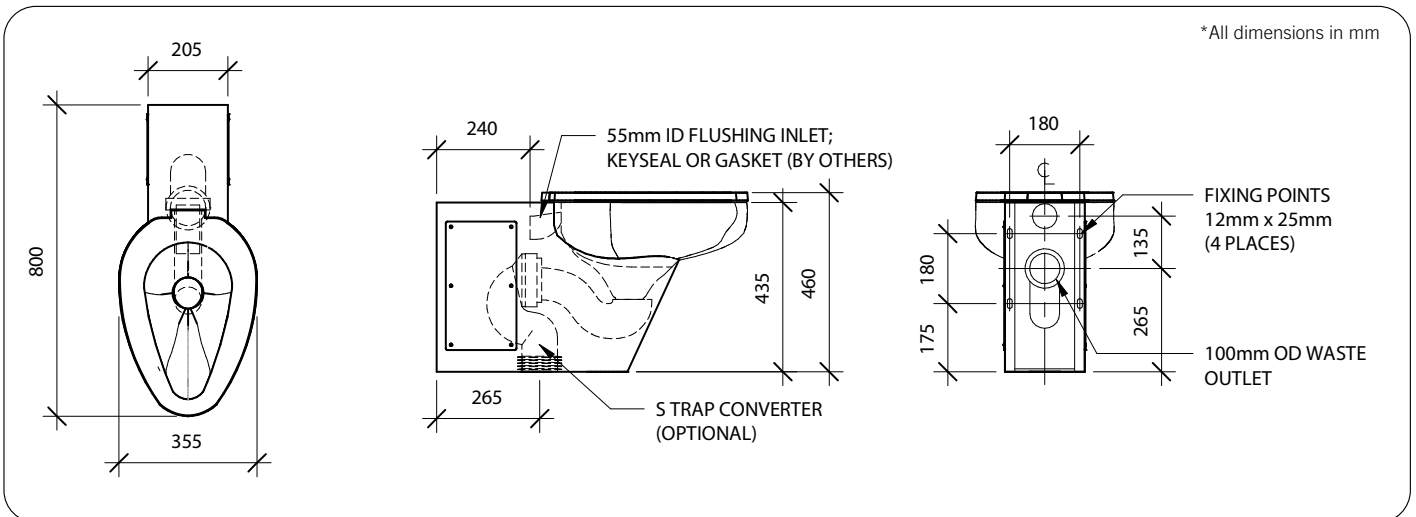
Dual WC Flush Valve, Mains Pressure

90° Wraparound Grab Rail & Backrest, Right Hand

90° Wraparound Grab Rail & Backrest, Left Hand

'Benefit' Stainless Steel Basin and Tap

**Important:** Installation instructions and current rough-in details should be furnished with each fixture. Do not rough in without certified dimensions. Dimensions are subject to manufacturer's tolerance of +/-10mm.



As improvements in the design and performance of RBA products are continuous, specifications may be subject to change without notice. The illustrations and descriptions herein are applicable to production as of the date of this Technical Data Sheet. Revised 01/24 © 2024 by RBA Group TD/Model RBA8851-428/0124