

## Model RBA8851-137-Series



### Materials & Features

Designed to securely support bariatric users with a maximum load capacity [MLC] in excess of 2000kg, RBA's Bariatric Toilet has the appearance of vitreous china [excluding -SS option] but is manufactured from stainless steel for safety and durability. The larger surface area provides better patient comfort and facilitates easier transfers for care givers. Suitable for all Big John bariatric toilet seats.

### Technical Detail

Inlet:	55mm ID
Outlet:	100mm OD
Trap:	P or S-Trap
Key Seal:	Standard [by others]
MLC:	910kg [no deflection] 2200kg [no permanent damage]
Housing:	1.9mm, type 304 Stainless Steel
Finish:	Enviroglaze® White &/or Satin Stainless Steel

### Available Models

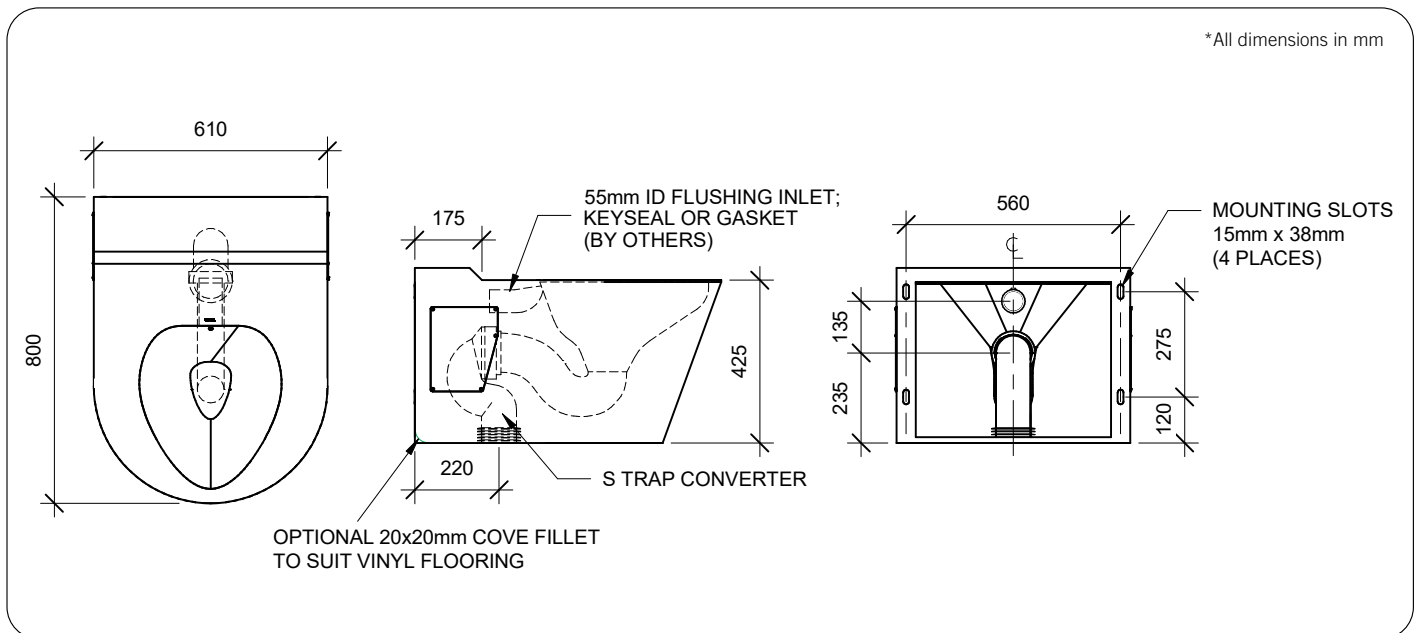
<b>RBA8851-137-PP</b>	Bariatric Toilet Enviro-Glaze® White Ext. only, Int. Stainless [recommended]
<b>RBA8851-137-SS</b>	Bariatric Toilet Stainless Ext. & Int.
<b>RBA8851-137-PPS</b>	Bariatric Toilet Enviro-Glaze® White Ext., Stainless Int. with Big John Bariatric Toilet Seat
<b>RBA8851-137-SSS</b>	Bariatric Toilet Stainless Ext. and Int. with Big John Bariatric Toilet Seat
<b>RBA8851-777-014</b>	Bariatric Toilet Enviro-Glaze® White External, with 20mm x 20mm cove fillet to suit vinyl flooring

### Related Products

<b>RBA8186-853</b>	Big John Toilet Seat
<b>RBA1882-100-503</b>	Wave-n-Go™ Touch-Free Electronic Flush Valve, Small White Plate
<b>RBA4007-212</b>	Gloss White Bariatric Drop Down Grab Rail   Left Hand
<b>RBA4007-214</b>	Gloss White Bariatric Drop Down Grab Rail   Right Hand

**Note:** For Australia, Installation shall be in accordance with the PCA [Plumbing Code of Australia] and any relevant local authority requirements.

**Important:** Installation instructions and current rough-in details should be furnished with each fixture. Do not rough in without certified dimensions. Dimensions are subject to manufacturer's tolerance of +/-10mm.



As improvements in the design and performance of RBA products are continuous, specifications may be subject to change without notice. The illustrations and descriptions herein are applicable to production as of the date of this Technical Data Sheet. Revised 02/24 © 2024 by RBA Group TD/Model RBA8851-137-series/0224