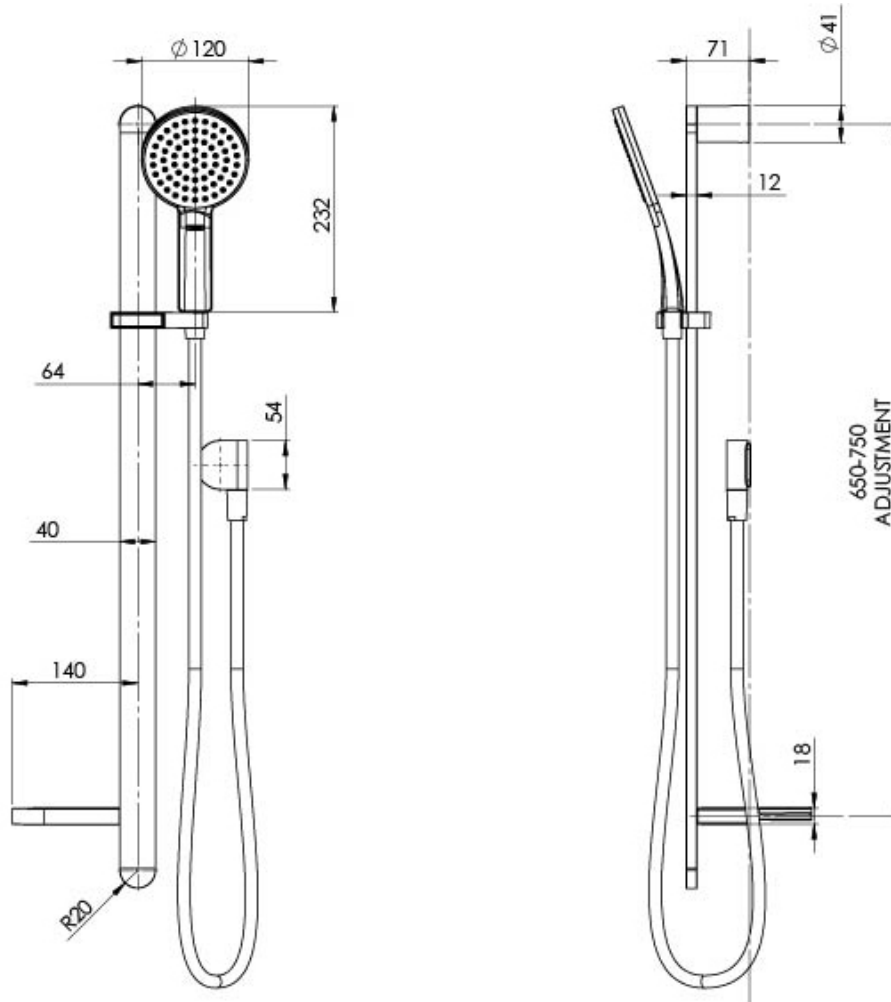


NX QUIL

NX QUIL RAIL SHOWER

SPECIFICATIONS



AVAILABLE IN



606-6810-00
Chrome



606-6810-40
Brushed Nickel



606-6810-60
Chrome / Matte Black



606-6810-10
Matte Black

INFORMATION

Temperature Rating
1 - 75°C

Pressure Rating
150 - 500kPa



MAINTENANCE AND CARE:

- All surfaces should be cleaned with mild liquid detergent or soap and water.
- Do not use cream cleaners or citrus based cleaning products, as they are abrasive.
- Use of unsuitable cleaning agents may damage the surface.
- Any damage caused in this way will not be covered by warranty.

Please visit <https://www.phoenixtapware.com.au/warranty> to view the full warranty