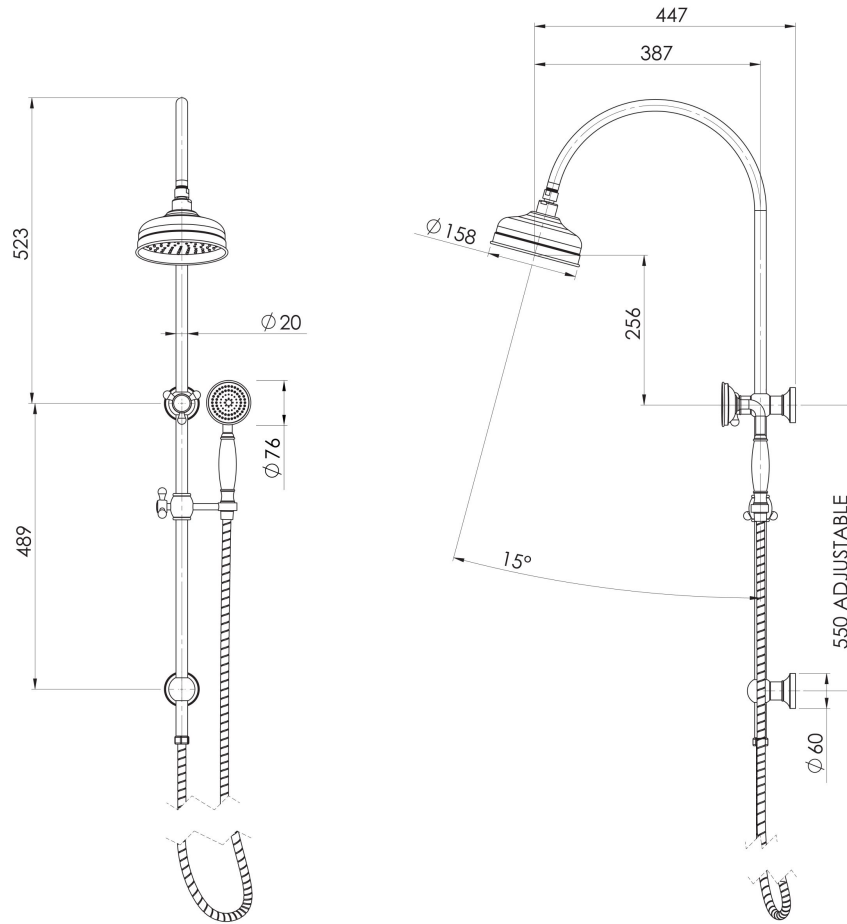


CROMFORD

CROMFORD TWIN SHOWER

SPECIFICATIONS



AS2485.1 Compliant Dual Check Valves



AVAILABLE IN



134-6510-00
Chrome



134-6510-40
Brushed Nickel



134-6510-10
Matte Black



134-6510-12
Brushed Gold

INFORMATION

Temperature Rating
1 - 75°C

Pressure Rating
150 - 500kPa



MAINTENANCE AND CARE:

- All surfaces should be cleaned with mild liquid detergent or soap and water.
- Do not use cream cleaners or citrus based cleaning products, as they are abrasive.
- Use of unsuitable cleaning agents may damage the surface.
- Any damage caused in this way will not be covered by warranty.

Please visit <https://www.phoenixtapware.com.au/warranty> to view the full warranty