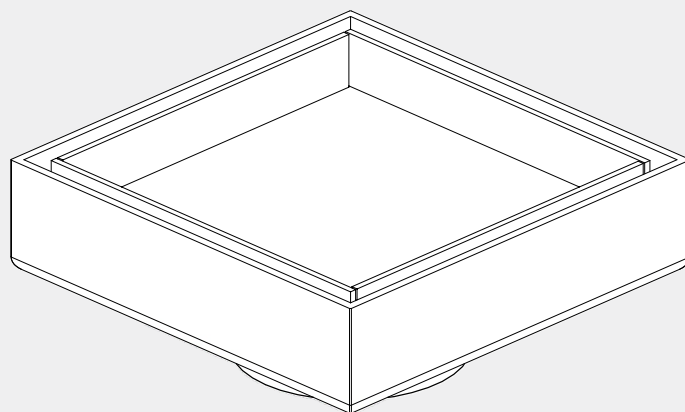


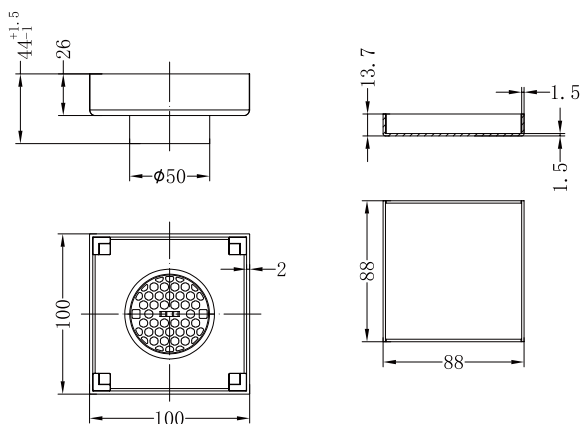
100mm Square Tile Insert Floor Waste 50mm Outlet

Nero



Versions:202311

Drawing








Specifications

SKU
NRFW006
Watermark License
WM-032203

Packaging Includes

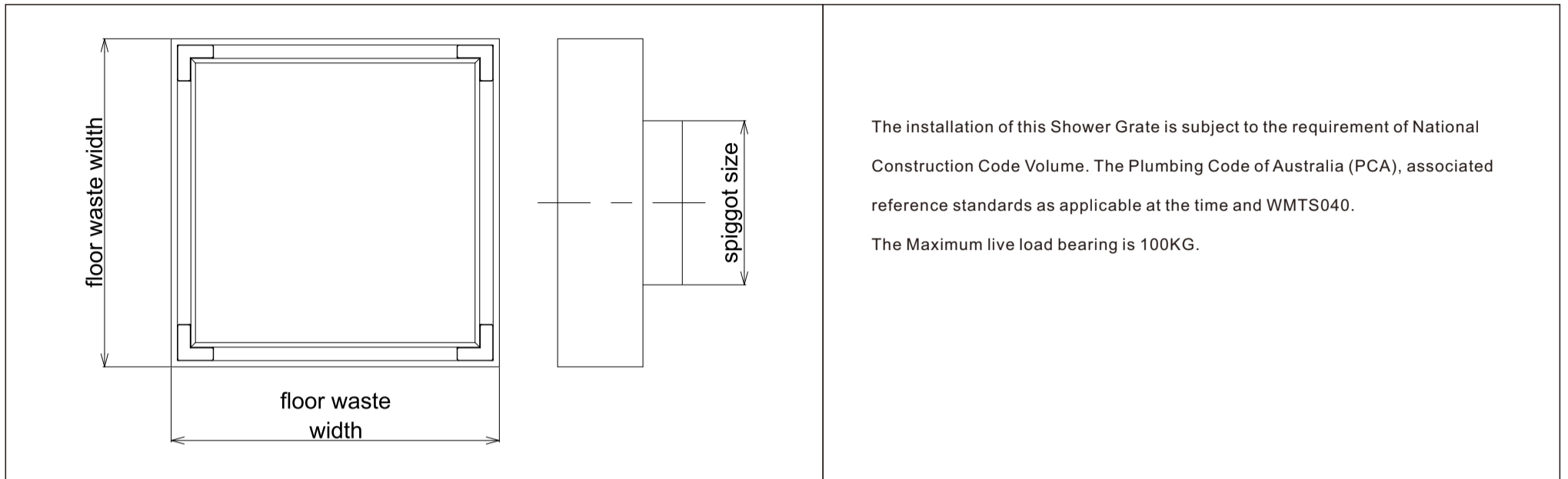
1 x floor waste

Finish

- | | | |
|--|--|--|
|  Brushed Nickel
NRFW006BN |  Gun Metal
NRFW006GM |  Brushed Bronze
NRFW006BZ |
|  Matte Black
NRFW006MB |  Brushed Gold
NRFW006BG | |

*Dimensions are nominal measurements only.

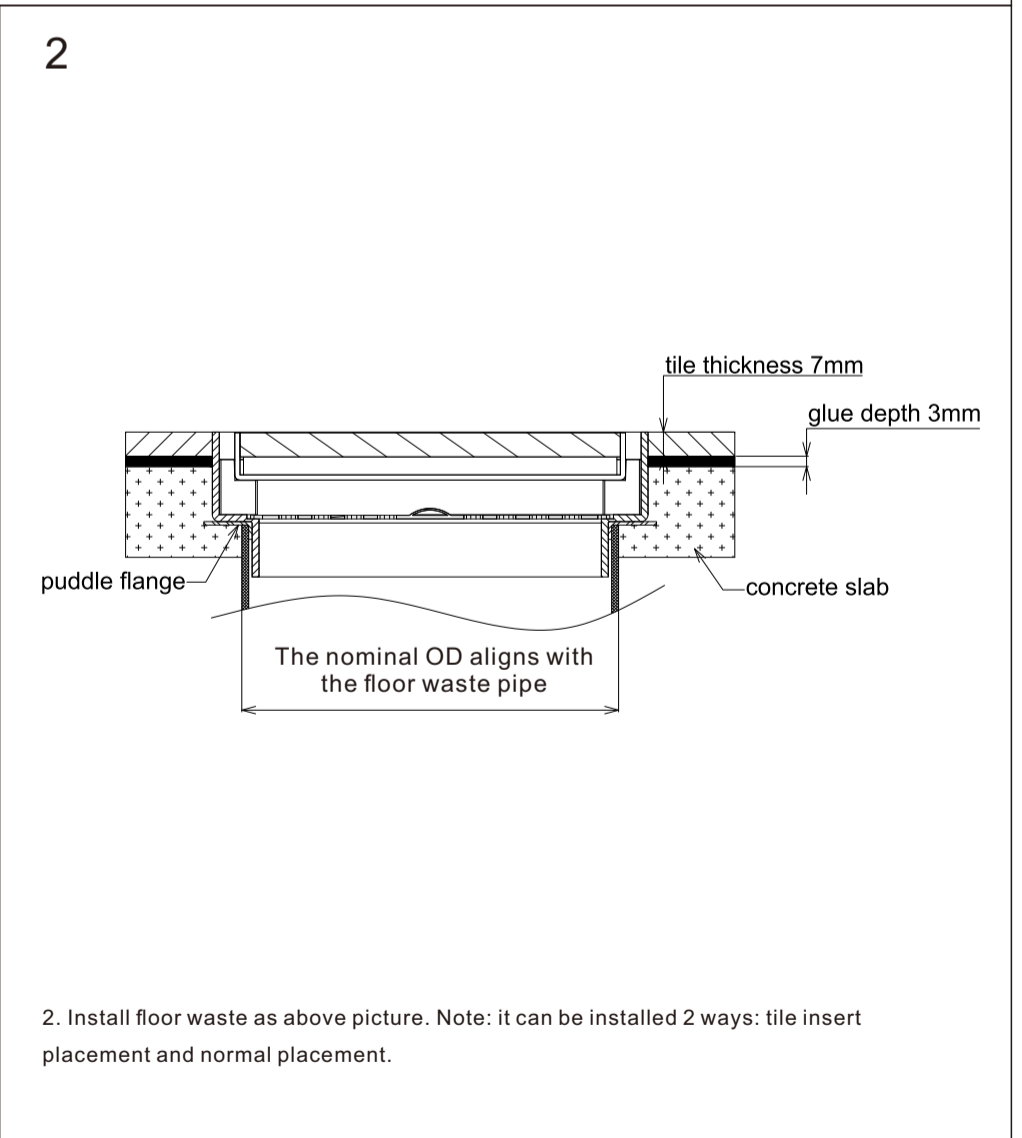
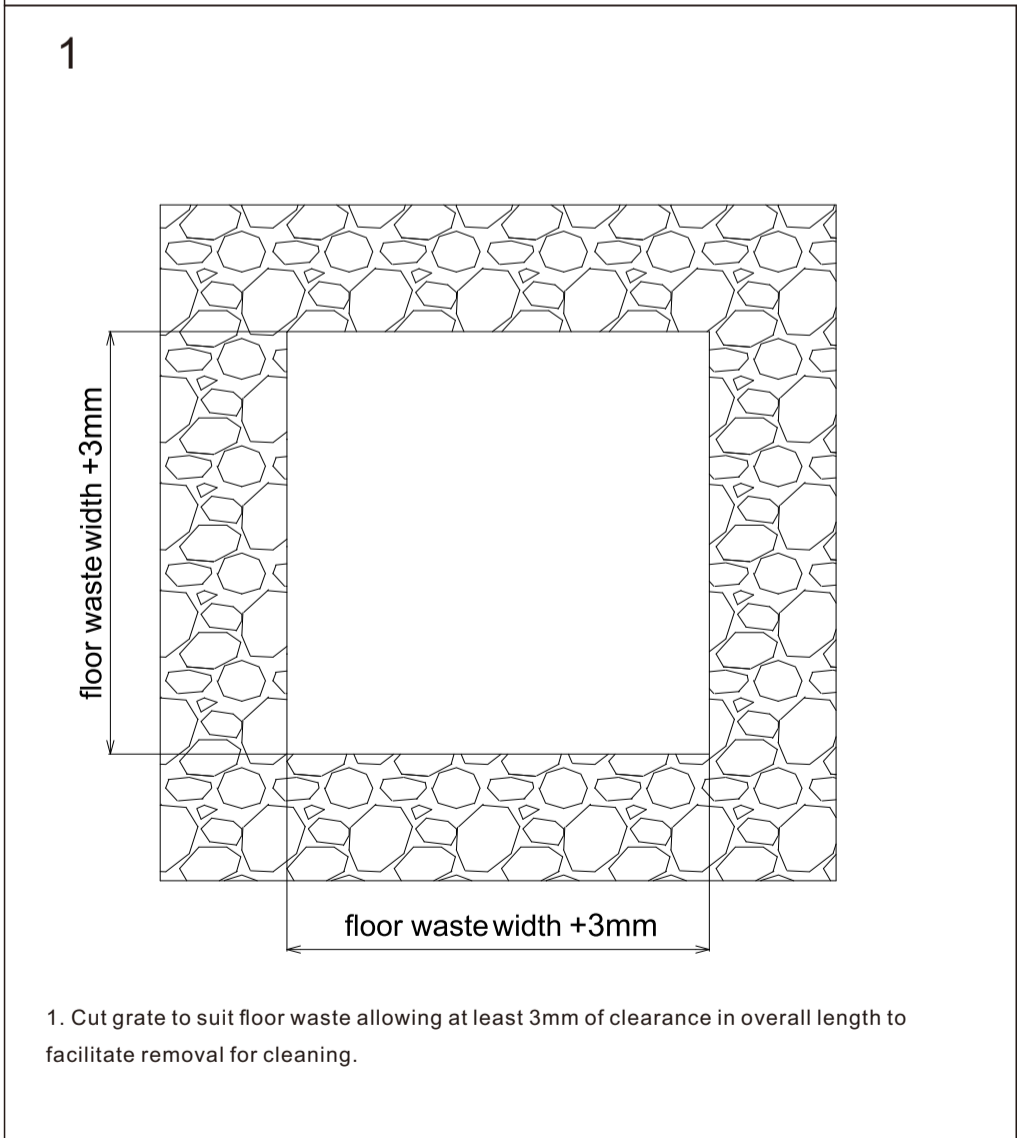
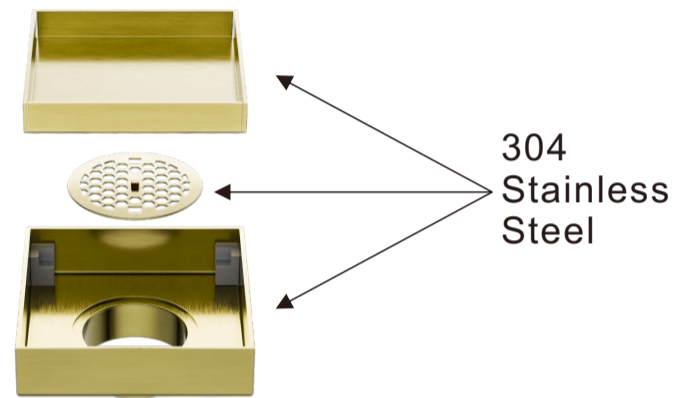
Installation Instruction



The installation of this Shower Grate is subject to the requirement of National Construction Code Volume. The Plumbing Code of Australia (PCA), associated reference standards as applicable at the time and WMTS040.
The Maximum live load bearing is 100KG.

Floor Waste Width	Spigot Size	Nominal OD Floor Waste Pipe
100mm	50mm	50mm PVC

NOTES:



Nero

info@nerotapware.com.au
nerotapware.com.au

11-13 Buontempo Road
Carrum Downs Vic 3201

