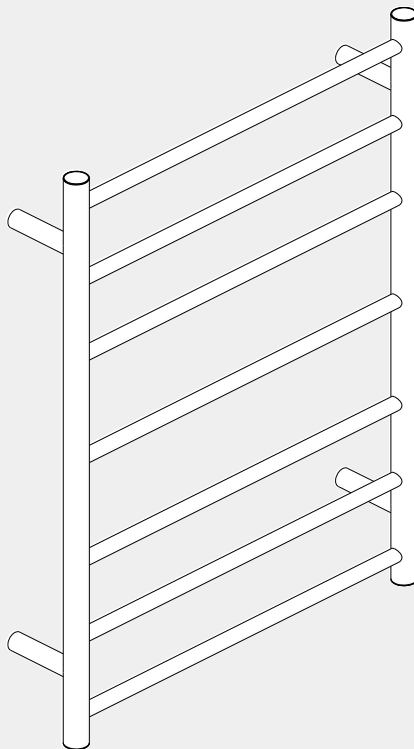


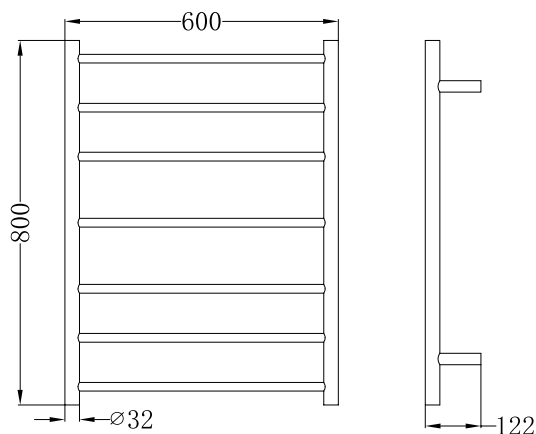
Non-Heated Towel Ladder

Nero



Versions:202401

Drawing



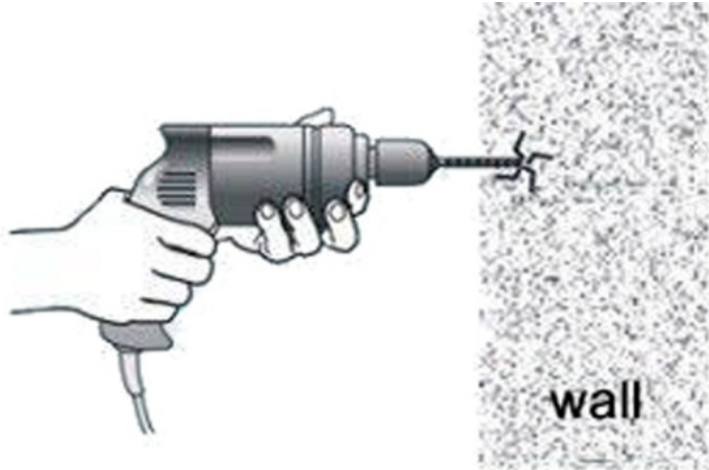
Packaging Includes

1x Towel Ladder

Finish & SKU

 Chrome NR190001CH	 Gun Metal NR190001GM	 Brushed Bronze NR190001BZ	 Graphite NR190001GR
 Matte Black NR190001MB	 Brushed Gold NR190001BG	 Matte White NR190001MW	 Brushed Nickel NR190001BN

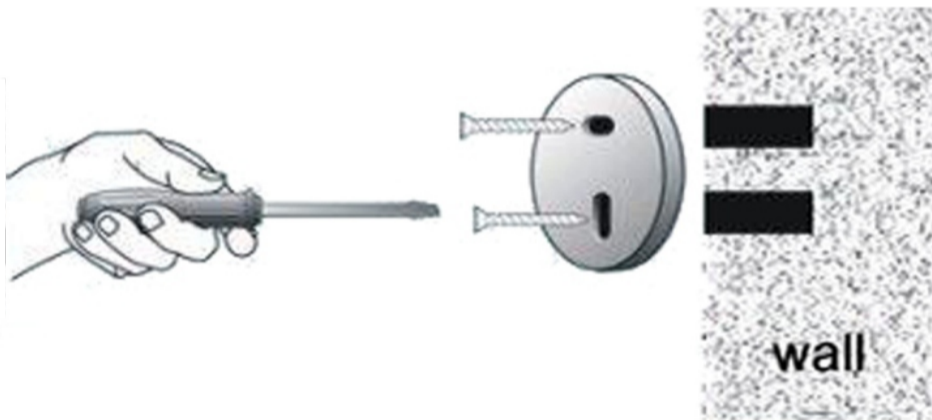
*Dimensions are nominal measurements only.



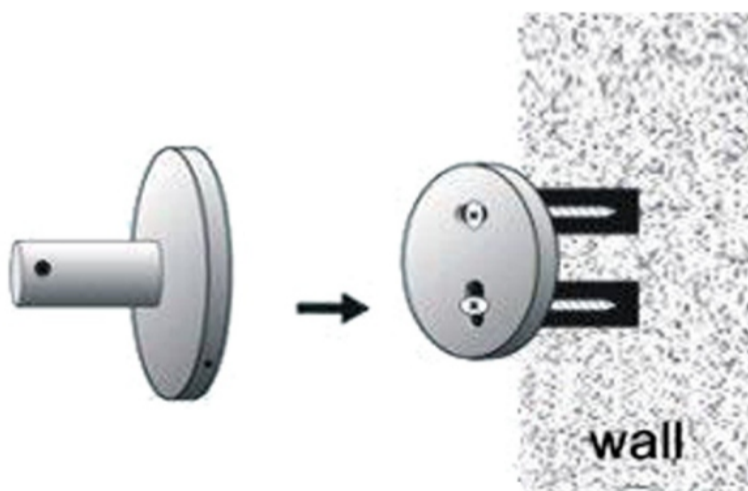
1. Put the fixing blocks (piece) over on the right place on the wall , and stay level, use marking pen through the holes of fixing block to mark out fixing spots on the wall. Then drill holes by electric hand drill with 6mm drilling bit on the spots.



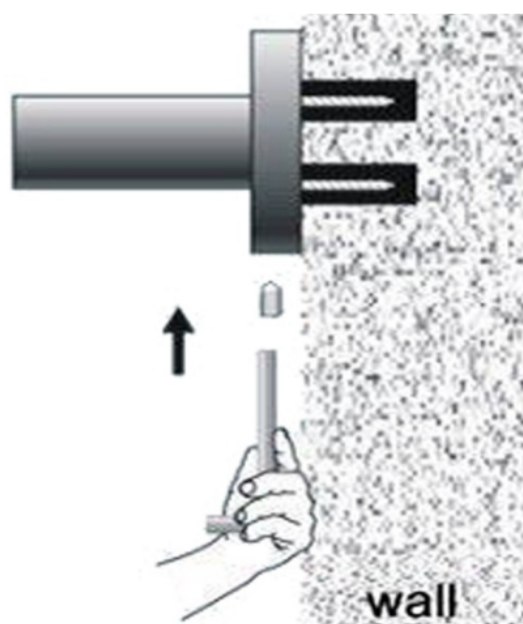
2. Put the expansion plugs into the wall by hammer.



3. Put fixing block cover on the holes and fix firmly by expansion screws.



4. Put the base of bathroom accessory cover on the fixing blocks.



5. Screw grub screws into the base, make it against to the fixing block tight and firm.

Nero

info@nerotapware.com.au
nerotapware.com.au

11-13 Buontempo Road
Carrum Downs Vic 3201

