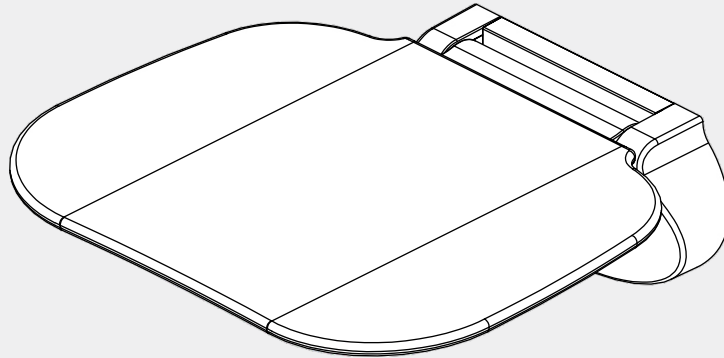
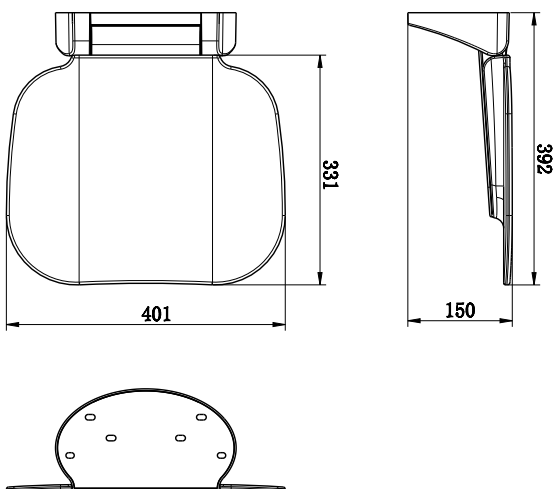


Mecca Care Shower Seat 400x330mm

Nero



Drawing



Specifications

SKU
NRCR0003

Warning:

These rails are designed to be mounted onto wall studs or masonry walls. Installation is recommended to be completed by qualified trades person who complies with the AS 1428.1-2009 design for access and mobility standard. It is recommended rail location is determined by a qualified occupational therapist or trained professional to the AS 1428.1-2009 standard. Correct installation is required to ensure safe, long term operation. Incorrect mounting can result in reduced capacity of the rail which can result in injury to user and damage to the wall.

Finish

 **Chrome**
NRCR0003CH

 **Gun Metal**
NRCR0003GM

 **Brushed Bronze**
NRCR0003BZ

 **Matte Black**
NRCR0003MB

 **Brushed Gold**
NRCR0003BG

 **Brushed Nickel**
NRCR0003BN

Features

1. Ergonomic design folds neatly up against wall.
2. High quality, high strength materials and finishes.
3. Compact size suitable for all shower sizes.
4. 150kg capacity when installed into brick/masonry or multiple wall studs.
5. AS1428.1 Approved for ambulant bathrooms tested to 150kg.
6. Gun metal, brushed gold and brushed bronze colours are PVD coated for long term durability.

*Dimensions are nominal measurements only.

Installation Instruction

Cautions

- 1: Please confirm whether the wall is a load-bearing before drilling;
- 2: Before drilling, please confirm whether there is a water pipe at the hole position;
- 3: Check whether the product accessories are complete before installation;
- 4: Make sure the drill bit is 10mm in size.
- 5: Make sure the hole depth is 6.5cm
- 6: The recommended height from floor to top of seat is about 470-480mm.

	<p>1. Before the installation, Ensure the wall is suitable for installing the shower seat . Place the wall fixing plate on the wall in the correct position and proceed to mark out the holes. Tips: It is recommended to have the height from the floor to the top of the seat at 470-480mm. Additionally, it is suggested to have the height from the floor to the wall fixing plate at 453-463mm, as shown in the left picture.</p>
	<p>2. Drill 6 holes on the wall, aligning them with the screw holes of our shower seat (using a 10mm drill bit and ensuring a hole depth of 6.5cm). Apply silicone to each hole and firmly insert the Nylon wall plug into the wall using a hammer.</p>
	<p>3. Place the shower seat against the wall, ensuring that the screw holes are aligned with the corresponding wall holes, and proceed to securely fasten them using a socket wrench.</p>
	<p>4. Tightly secure the base cover.</p>
<p>*Note: you can choose the style without slow down function, and the installation method is the same</p>	<p>5. Check the function and fold up the seat when not in use.</p>

***Note: The drilling bit is 10mm, and the drilling depth is greater than or equal to 6.5cm**

Nero

info@nerotapware.com.au
nerotapware.com.au

11-13 Buontempo Road
Carrum Downs Vic 3201



**MECCA CARE
DDA CARE 32MM**