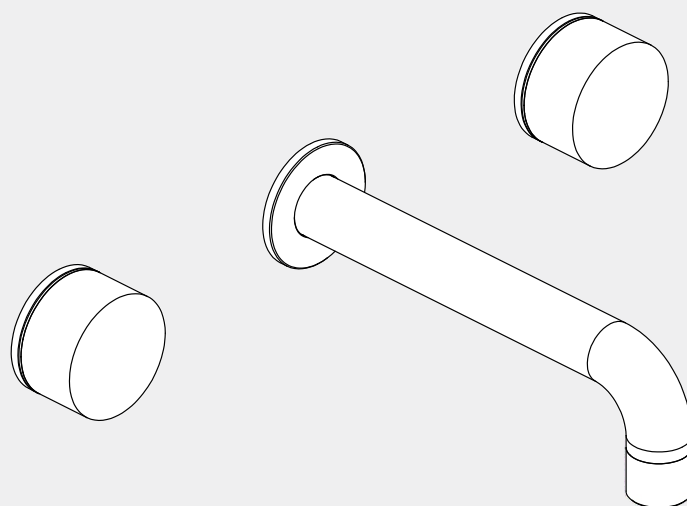


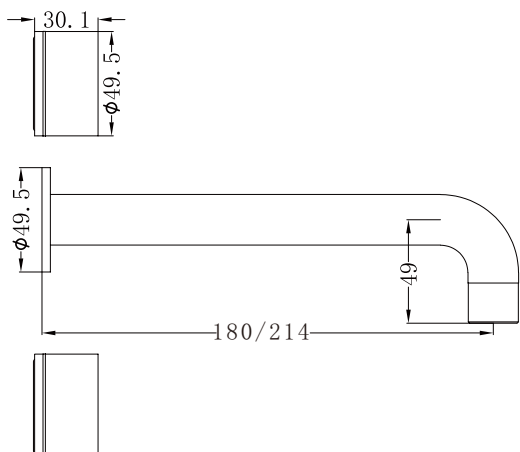
Kara Wall Basin Set 180/217mm

Nero



Versions:202401

Drawing



Specifications

Watermark License

WM-060073

Temperature Rating

Min 1°C-Max 75°C







Pressure Rating

Min 150kpa - Max 500kpa

Packaging Includes

2x Handwheels
1x Allen Key
1x Spout

Finish & SKU

| | | |
|---|--|---|
|  Chrome NR211707a180/217CH |  Gun Metal NR211707a180/217GM |  Brushed Bronze NR211707a180/217BZ |
|  Matte Black NR211707a180/217MB |  Brushed Gold NR211707a180/217BG |  Brushed Nickel NNR211707a180/217BN |

*Dimensions are nominal measurements only.

1

cap*2
grub screw*2
screw*2
adapter*2
lock flange*2
lock nut*2
washer*2
quick-opening valve*2
dressing plate*1
spout*1
cutt off gauge

2

15-25 38-48 23
35 G5/8
ceramic tile wall
standard tap seat body

1. Install the standard tap seat body in advance.

3

ceramic tile wall
lock nut washer quick-opening valve
standard tap seat body

1. Screw the quick-opening valve onto the body tightly.
2. Put on the washer and screw the lock nut on the quick-opening valve.

4

lock flange cutt off gauge
ceramic tile wall

Screw lock flange and cut off gauge tightly on the lock nut in a row.

5

cut off remaining thread
ceramic tile wall

1. Cut off remaining thread against to the cut off gauge.
2. Use a file to make the cutting surface flat and smooth.

6

ceramic tile wall
screw adapter

1. Take off the cut off gauge.
2. Put on the adapter.
3. Fasten the screw firmly.

7

ceramic tile wall
cap grub screw
handle wheel

1. Put on the handle wheel.
2. Fasten grub screw firmly.
3. Put cap back on handle wheel.

8

spout washer dressing plate ceramic tile wall

1. Put the dressing plate, the washer on the outlet successively.
2. Revolve the spout onto the outlet.

Nero

info@nerotapware.com.au
nerotapware.com.au

11-13 Buontempo Road
Carrum Downs Vic 3201

