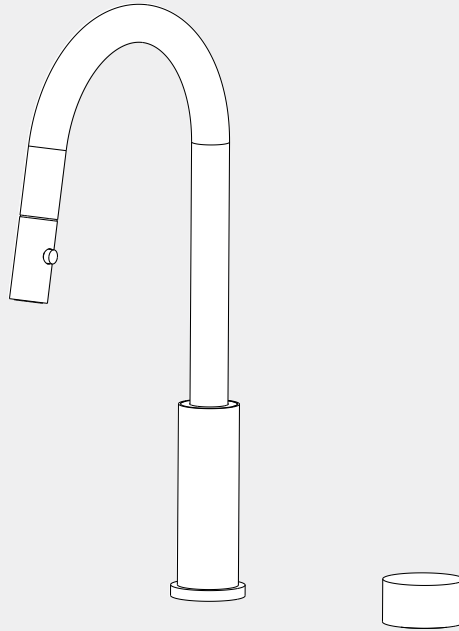


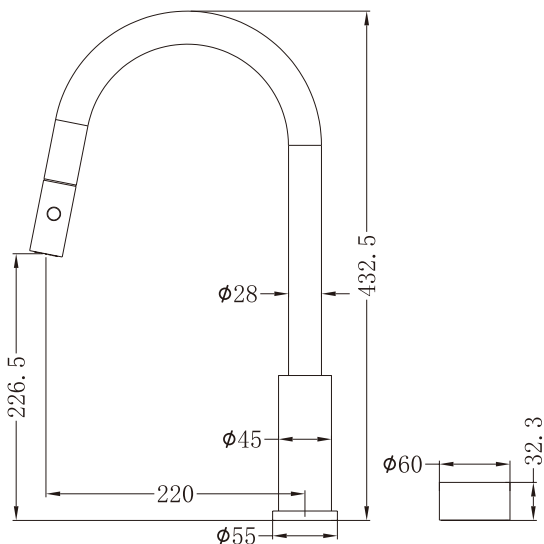
Kara Progressive Pull Out Kitchen Set

Nero



Versions:202401

Drawing



Specifications

Watermark License

WM-060073

Temperature Rating

Min 1°C - Max 75°C







Pressure Rating

Min 150kpa - Max 500kpa

Packaging Includes

- 1x Pull Out Sink Spout
- 1x Hand Wheel
- 1x Base Ring
- 1x Counter Weight
- 1x Triangular Support
- 1x Hose Tail

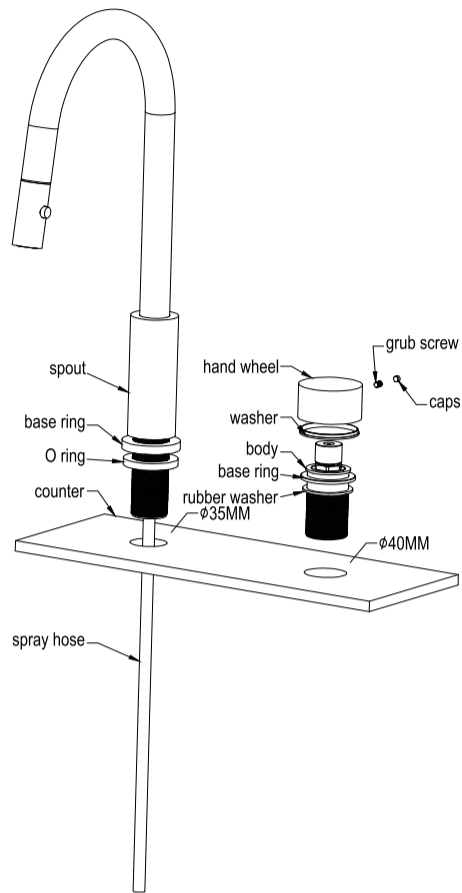
Finish & SKU

- | | | |
|---|--|--|
|  Chrome
NR271908CH |  Gun Metal
NR271908GM |  Brushed Bronze
NR271908BZ |
|  Matte Black
NR271908MB |  Brushed Gold
NR271908BG |  Brushed Nickel
NR271908BN |

*Dimensions are nominal measurements only.

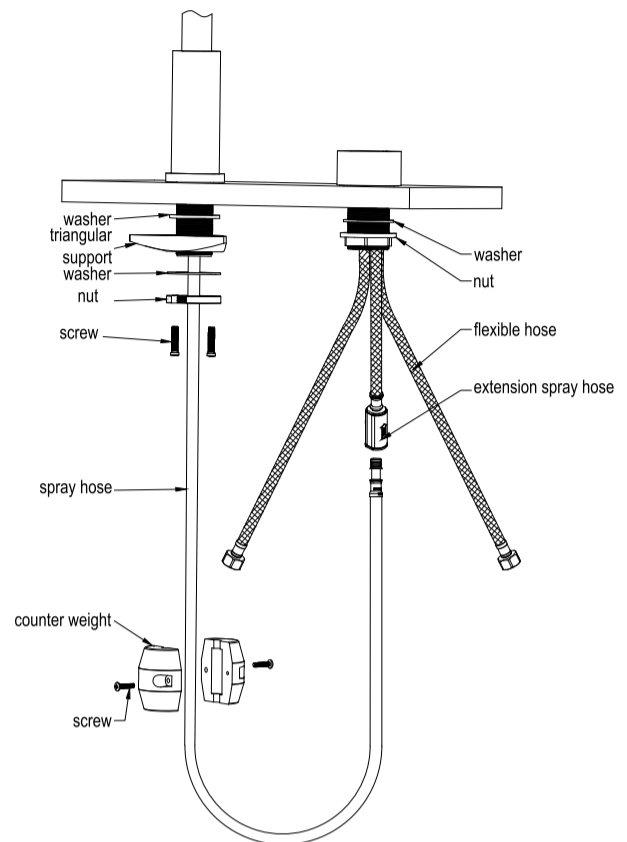
Installation Instruction

1



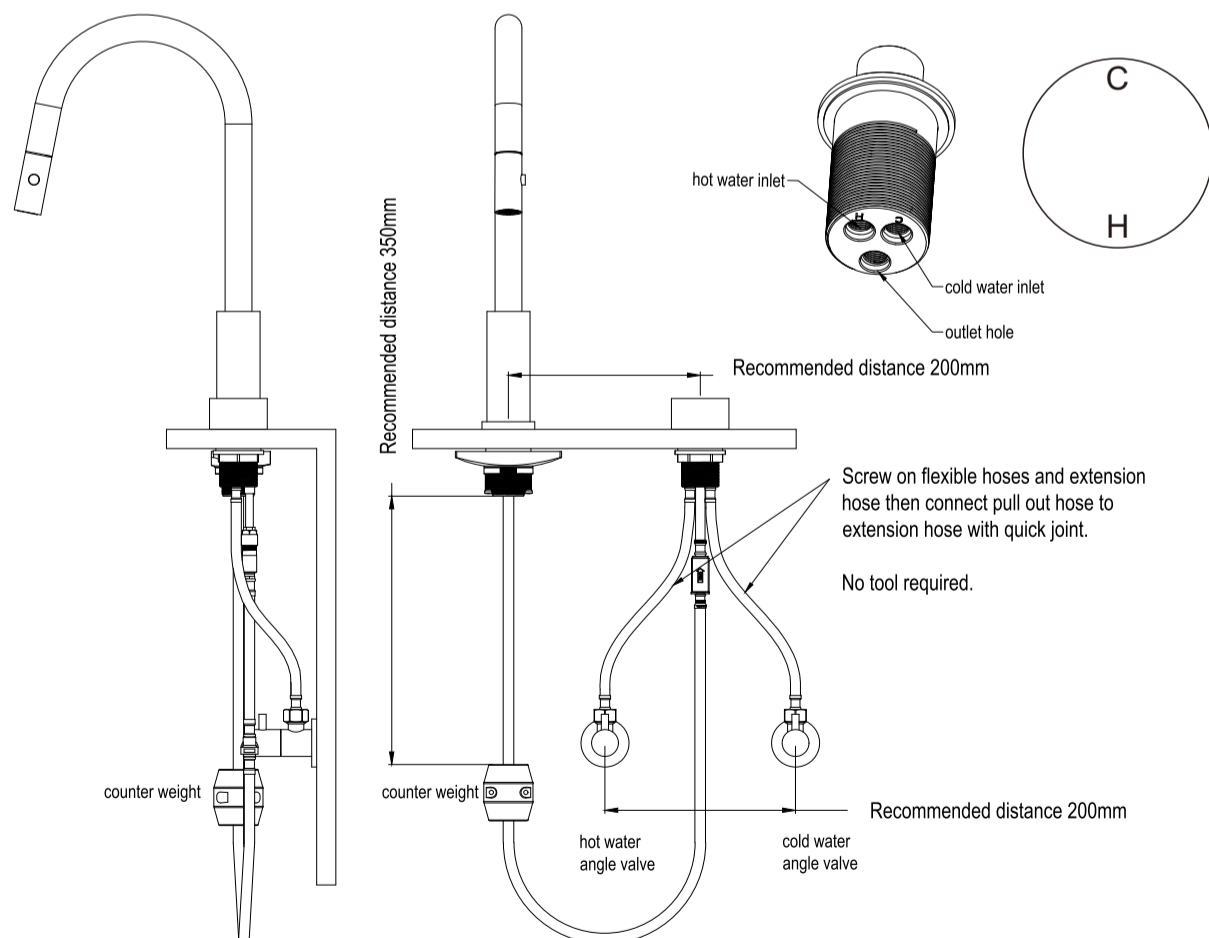
1. Drill a 35mm (for spout) and a 40mm (for mixer) through-hole on the counter.
(The counter thickness must be between 20mm to 40mm)
The recommended distance of the two holes is 200mm, reference to below diagram.
2. Remove all fitting parts on the thread pipe for both spout part and mixer part.

2



3. Slide rubber washer, triangle plate and steel washer and lock nut onto spout part in a row according above diagram. Then slide rubber washer and nut onto mixer part .
4. Screw on extension spray hose, hot and cold flexible hoses onto mixer part according to below diagram.
5. Connect pull out hose to extension hose by quick joint.
6. Install counter weight onto pull out hose firmly. The recommended installation height of weight is 350mm from the counter bottom side, please reference to below diagram.

3



7. Turn the hand wheel counterclockwise to the end. Then reinstall the hand wheel, make the "C" should be on twelve o'clock direction and "H" on the six o'clock direction, according to above picture. Then tighten grub screw of hand wheel by allen key, put cap into hand wheel.

Nero

info@nerotapware.com.au
nerotapware.com.au

11-13 Buontempo Road
Carrum Downs Vic 3201

