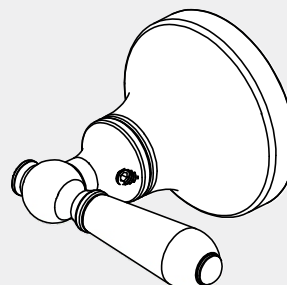
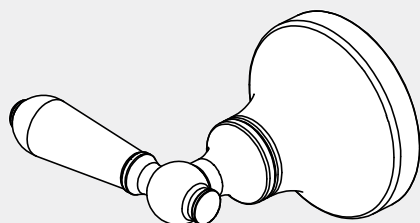


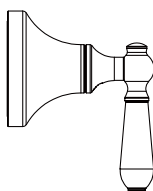
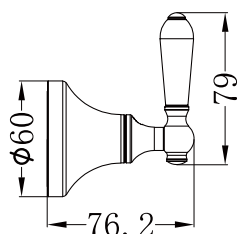
York Wall Top Assemblies

Nero



Versions:202401

Drawing



Specifications

Watermark License

WM-060073








Temperature Rating

Min 1 °C - Max 75 °C

Pressure Rating

Min 150kpa - Max 500kpa

Finish & SKU

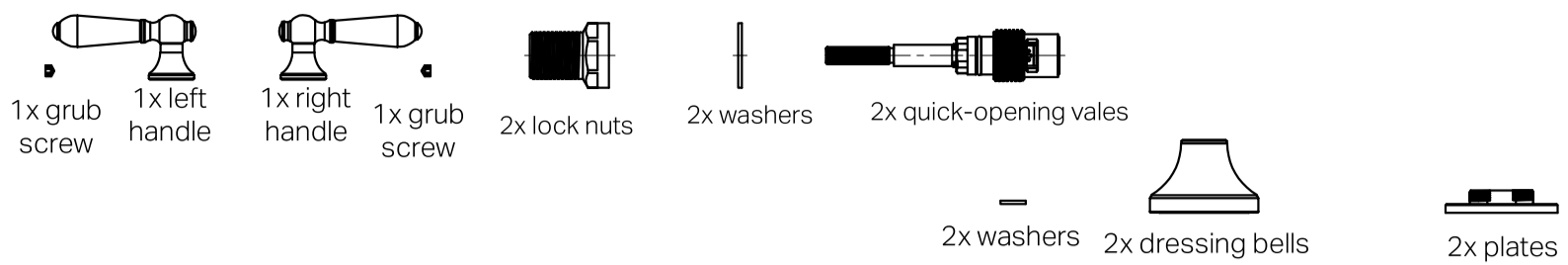
	CHROME WITH WHITE PORCELAIN LEVER NR692109b01CH		MATTE BLACK WITH METAL LEVER NR692109b02MB
	CHROME WITH METAL LEVER NR692109b02CH		AGED BRASS WITH WHITE PORCELAIN LEVER NR692109b01AB
	CHROME WITH BLACK PORCELAIN LEVER NR692109b03CH		AGED BRASS WITH METAL LEVER NR692109b02AB
	MATTE BLACK WITH WHITE PORCELAIN LEVER NR692109b01MB		

Packaging Includes

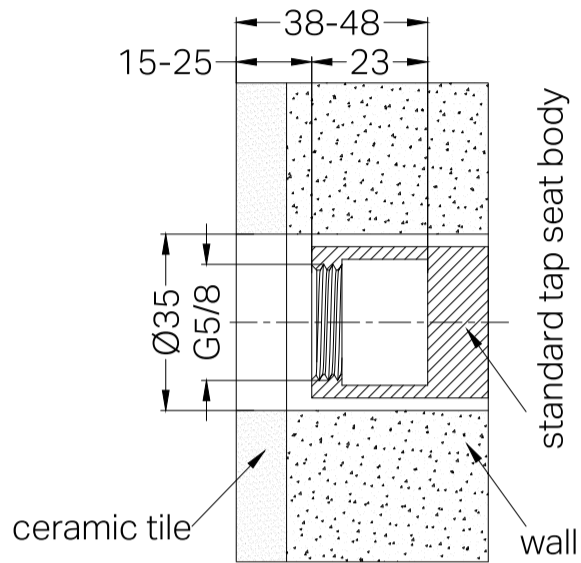
2x Wall Top Handles

*Dimensions are nominal measurements only.

1

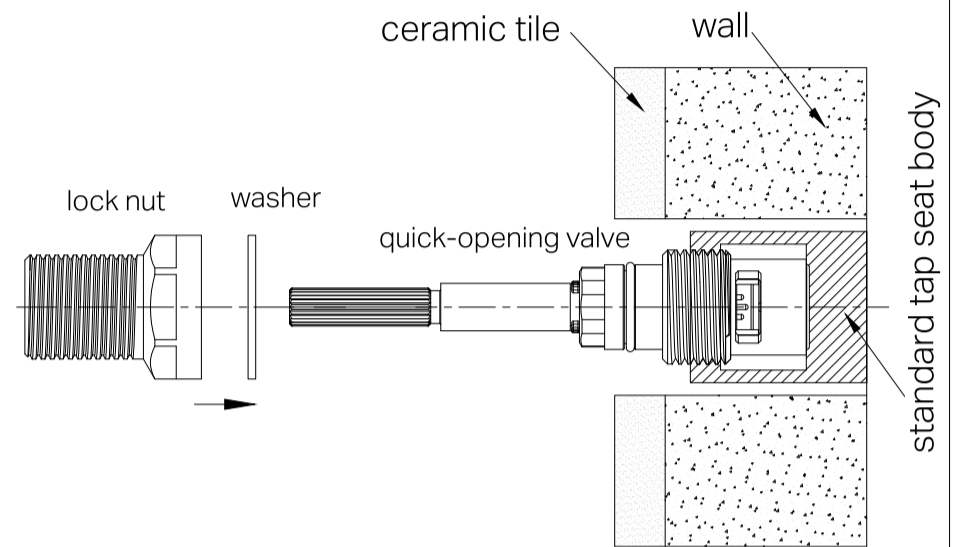


2



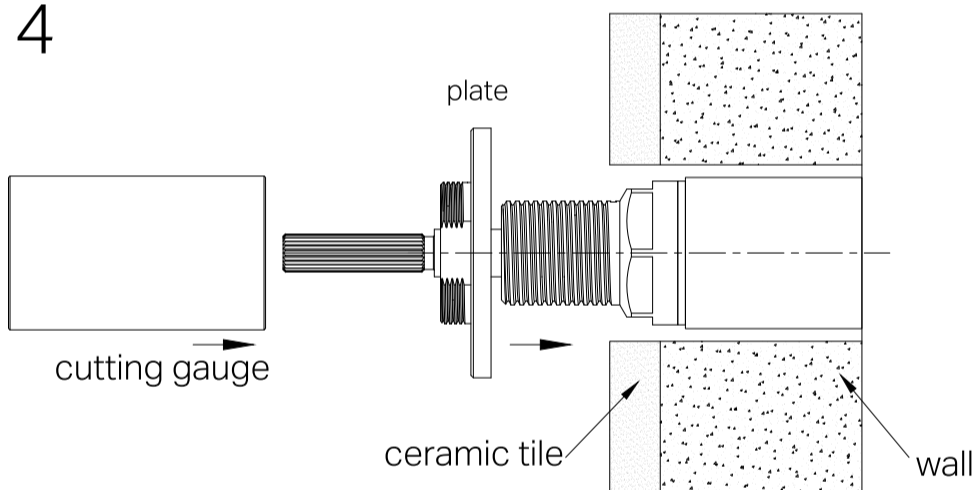
- Install the breech (not included) in advance.

3



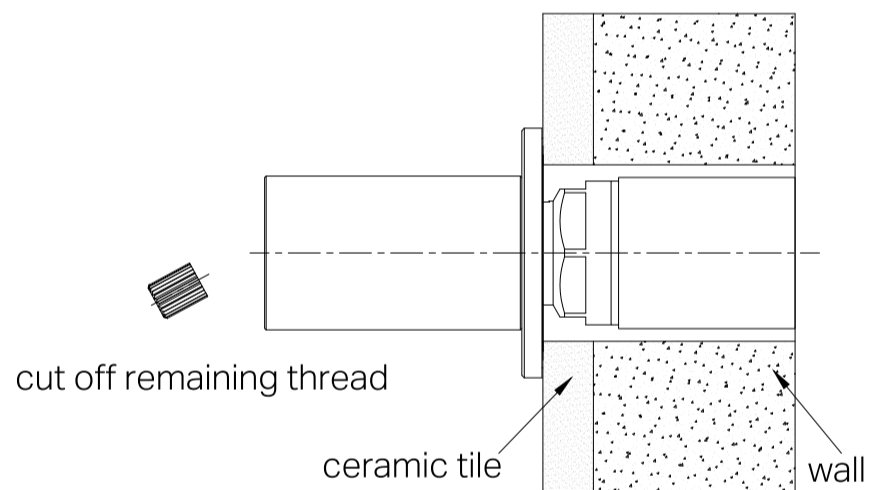
- Position the quick-opening valve to the breech body, and screw it in place tightly.
- Slide the washer onto the valve's end, secure with the locking nut. Ensure all parts are snug.
- Test for leaks.

4



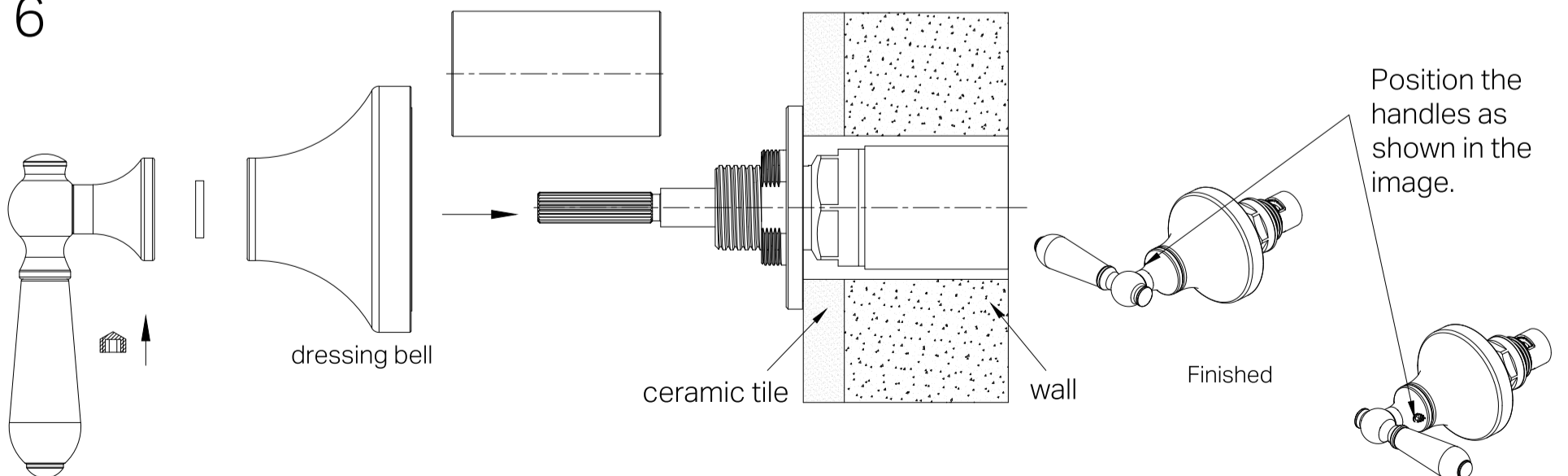
- Screw the plate and cutting gauge onto the lock nut tightly, ensuring a secure fit.

5



- Trim the excess thread flush with the cutting gauge.
- Smooth the trimmed edge.
- Test for leaks.

6



- Remove the cutting gauge.
- Attach the dressing bell.
- Place the washer inside the handle, fit it onto the tap body, and secure with the grub screw.

Nero

info@nerotapware.com.au
nerotapware.com.au

11-13 Buontempo Road
Carrum Downs Vic 3201

